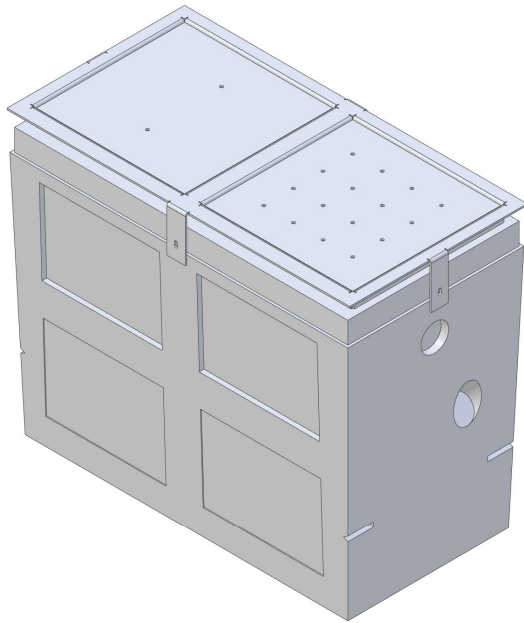




**Double Compartment Garage Sump
With Optional Iron Frame
Comes With Covers (12010 / 2011)**



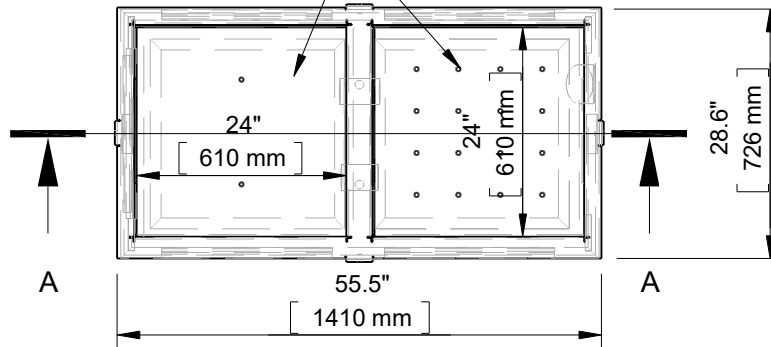
4.5" Diameter
Knockout

31.5"

800 mm

Section A-A

(2x) 1/4" Thick Iron Covers



(4x) 1/2" Threaded Inserts for
Optional Iron Frame

56"
1422 mm

4.5" Diameter
Knockout

31.5"

800 mm

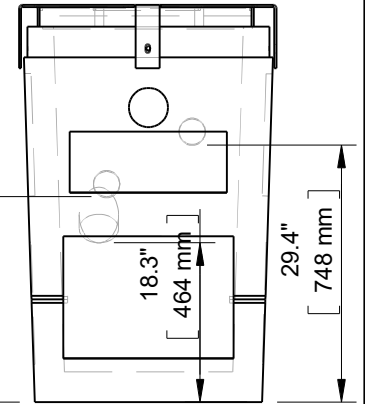
45.5"

1155 mm

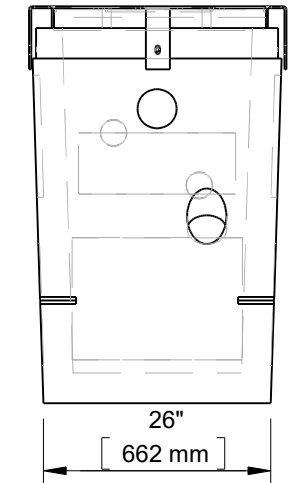
4.5" Diameter
45 Degree Knock Out

23.6"

598 mm



29.5"
749 mm



This drawing is the property of Alberta Wilbert Sales Ltd.
There is no guarantee or representation to the user as to the suitability
or reliability of this data for any purpose. The user accepts the data
"as is" and assumes all risks associated with its use.

Edmonton

16910-129 Ave. NW
Edmonton, AB
T5V 1L1
Toll Free: 1-800-232-7385
Bus: (780-447-2222
Fax: (780) 447-1984

Calgary

4315-58 Ave. S.E.
Calgary, AB
T2C 1Y3
Bus: (403) 230-1666
Fax: (403) 276-4176

Capacity: 160 Imp. Gallons
Weight: 2200Lbs. / 998Kg.
Volume: 80 Imp. Gallons per side
Handles up to 5000 pounds
Comes With 1/4 " Thick Covers
Shown with Optional Iron Frame

Checked by	Item	Date	Scale
	12010 / 12011	11.26.22	
File name	Double Compartment Garage Sump Comes With Covers (12010 / 2011)		
For Discussion Only.			Drawn by M.D.