

ESP50 SERIES - 1/2 HP

APPLICATIONS

Effluent wastewater removal, dewatering, water transfer

FEATURES

- Oil-free motor
- Designed for continuous duty
- Handles solids up to 3/4" (19 mm) diameter
- 1-1/2" NPT (38 mm) discharge
- Multiple switch options for automatic operation
- 120 °F (49 °C) liquid temperature rating
- cCSAus listed



SERIES SPECIFICATIONS

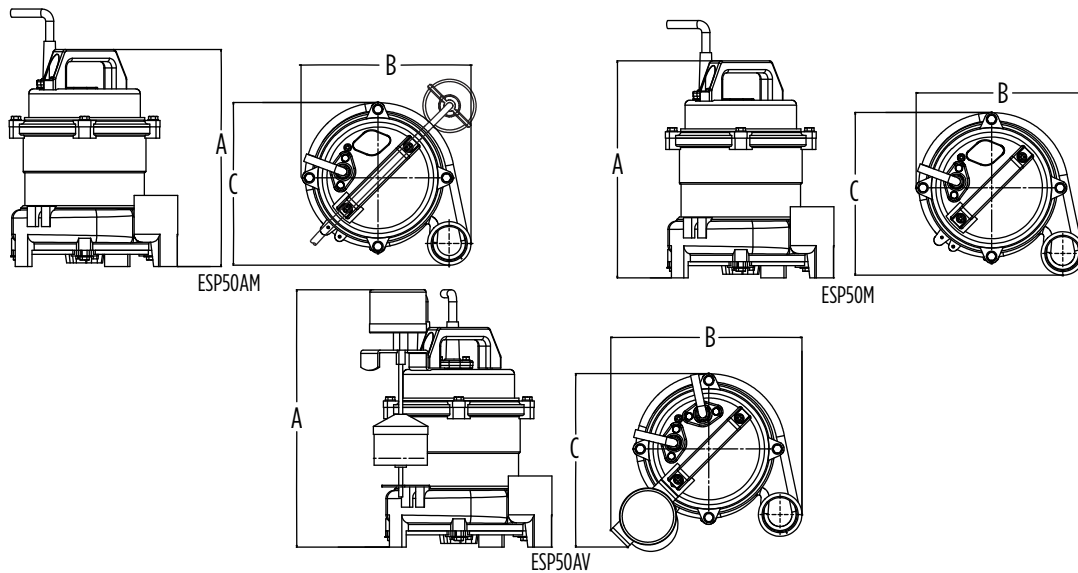
Volts	Hz	Amps		Watts	Performance (GPM @ Height in Feet)			Shut-Off (ft)	PSI
		FLA	Start		15'	20'	25'		
115	60	6.7	12.9	650	61	51	36	31	13.4

Item No.	Model	HP	Volts	Switch Type/ Operation	On Level	Off Level	Cord	Weight
620187	ESP50AM	1/2	115	Piggyback Mechanical	11.4" 28.9 cm	4.7" 11.9 cm	20' 6.1 m	33 lbs 15.0 Kg
620178	ESP50AV	1/2	115	Vertical Mechanical	7.5" 19.1 cm	4.5" 11.4 cm	20' 6.1 m	31 lbs 14.1 Kg
620174	ESP50M	1/2	115	Manual	-	-	20' 6.1 m	31 lbs 14.1 Kg

EFFLUENT PUMPS

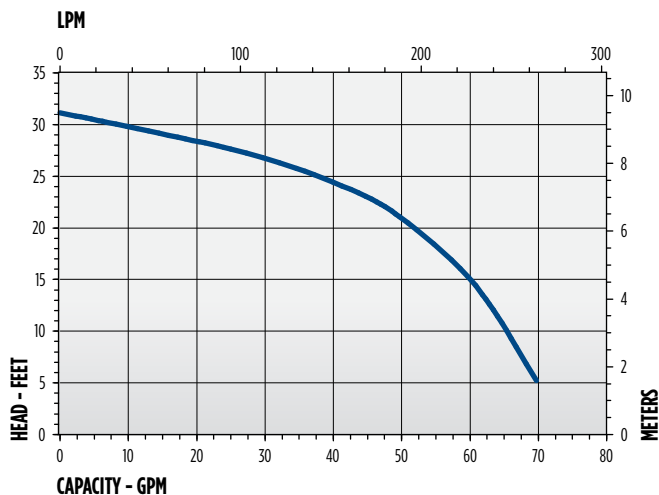
ESP50 SERIES - 1/2 HP

ENGINEERING DATA



Model	A	B	C
ESP50AM	10.59" 26.9 cm	8.23" 20.9 cm	7.95" 20.2 cm
ESP50M	10.59" 26.9 cm	9.33" 23.7 cm	8.46" 21.5 cm
ESP50AV	10.3" 26.16 cm	8.23" 20.9 cm	7.95" 20.2 cm

PERFORMANCE DATA



CONSTRUCTION

Motor Housing	Polypropylene
Impeller Material	Polypropylene
Impeller Type	Non-clog
Volute	Polypropylene
Motor Shaft	Polypropylene
Shaft Seal	Carbon/ceramic
Fasteners	Stainless steel
Bearings	Upper and lower ball bearings
Power Cord	SJTW