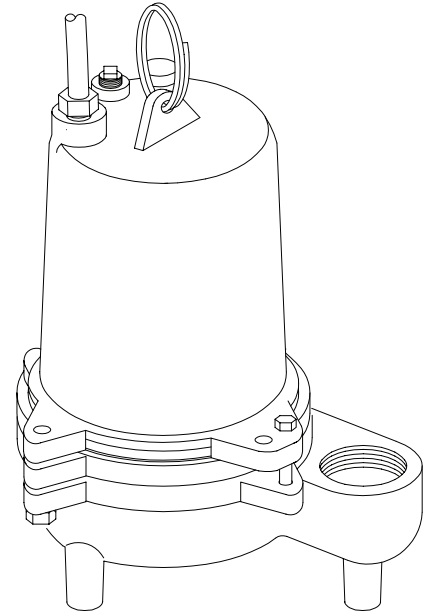


**DISCHARGE** .....2" NPT, Female, Vertical  
**LIQUID TEMPERATURE** ..... 104°F (40°C) Continuous  
**VOLUTE**.....Cast Iron ASTM A-48, Class 30  
**MOTOR HOUSING** .....Cast Iron ASTM A-48, Class 30  
**SEAL PLATE** .....Cast Iron ASTM A-48, Class 30  
**IMPELLER: Design**.....**SE** - 2 Vane, Open.  
**SEV** - 12 Vane, Vortex.  
with pump out vanes on back side.  
Dynamically Balanced, ISO G6.3  
**Material** .....**SE** - Cast Iron ASTM A-48, Class 30  
**SEV** - Cast Iron ASTM, A-48, Class 30  
**SHAFT** .....416 Stainless Steel  
**SQUARE RINGS** .....Buna-N  
**HARDWARE** .....300 Series Stainless Steel  
**PAINT** .....Air Dry Enamel  
**SEAL: Design** .....Single Mechanical, Oil Filled Reservoir,  
Secondary Exclusion Seal  
**Material** .....Carbon/Ceramic/Buna-N  
Hardware -300 Series Stainless  
**CORD ENTRY** ..... 15 ft. (5m) Quick Disconnect Cord with plug  
On 115 Volt, Pressure Grommet for sealing  
and strain relief  
**SPEED** ..... 1750 RPM (Nominal)  
**UPPER BEARING**.....Single Row, Ball, Oil Lubricated  
**Load**.....Radial  
**LOWER BEARING**.....Single Row, Ball, Oil Lubricated  
**Load**.....Radial & Thrust  
**MOTOR: Design** .....NEMA L Torque Curve, Oil Filled, Squirrel  
Cage Induction  
**Insulation** ..... Class B  
**SINGLE PHASE**.....Permanent Split Capacitor (PSC)  
Includes Overload Protection in Motor  
**LEVEL CONTROL** .....**"A"** - Wide Angle, PVC, Mechanical, 15 ft (5m)  
cord with Piggy-Back Plug, N/O  
**"AU"**- Wide Angle, Polypropylene,  
Mechanical, N/O, Integral to pump.  
ON and OFF Points are adjustable  
**"VF"** - Vertical Float, PVC, Snap Action,  
15 ft (5m) cord, with Piggy-Back plug.  
OFF point ONLY is adjustable  
**OPTIONAL EQUIPMENT** .....Seal Material, Additional Cord  
**RECOMMENDED:**  
**Accessories**.....Break Away Fitting (BAF)  
Check Valve  
Control Panel  
**Seal Kit PN** .....085202  
**Service Kit PN**.085201



**Series:**  
**SE .5HP, 1750RPM, 60Hz**  
**SEV .5HP, 1750RPM, 60Hz**

Sample Specifications: Section 1 Page 3.

**DESCRIPTION:**

SUBMERSIBLE NON-CLOG SEWAGE PUMP  
DESIGNED FOR TYPICAL RAW SEWAGE  
APPLICATIONS



**WARNING:**  
CANCER AND REPRODUCTIVE HARM -  
WWW.P65WARNINGS.CA.GOV



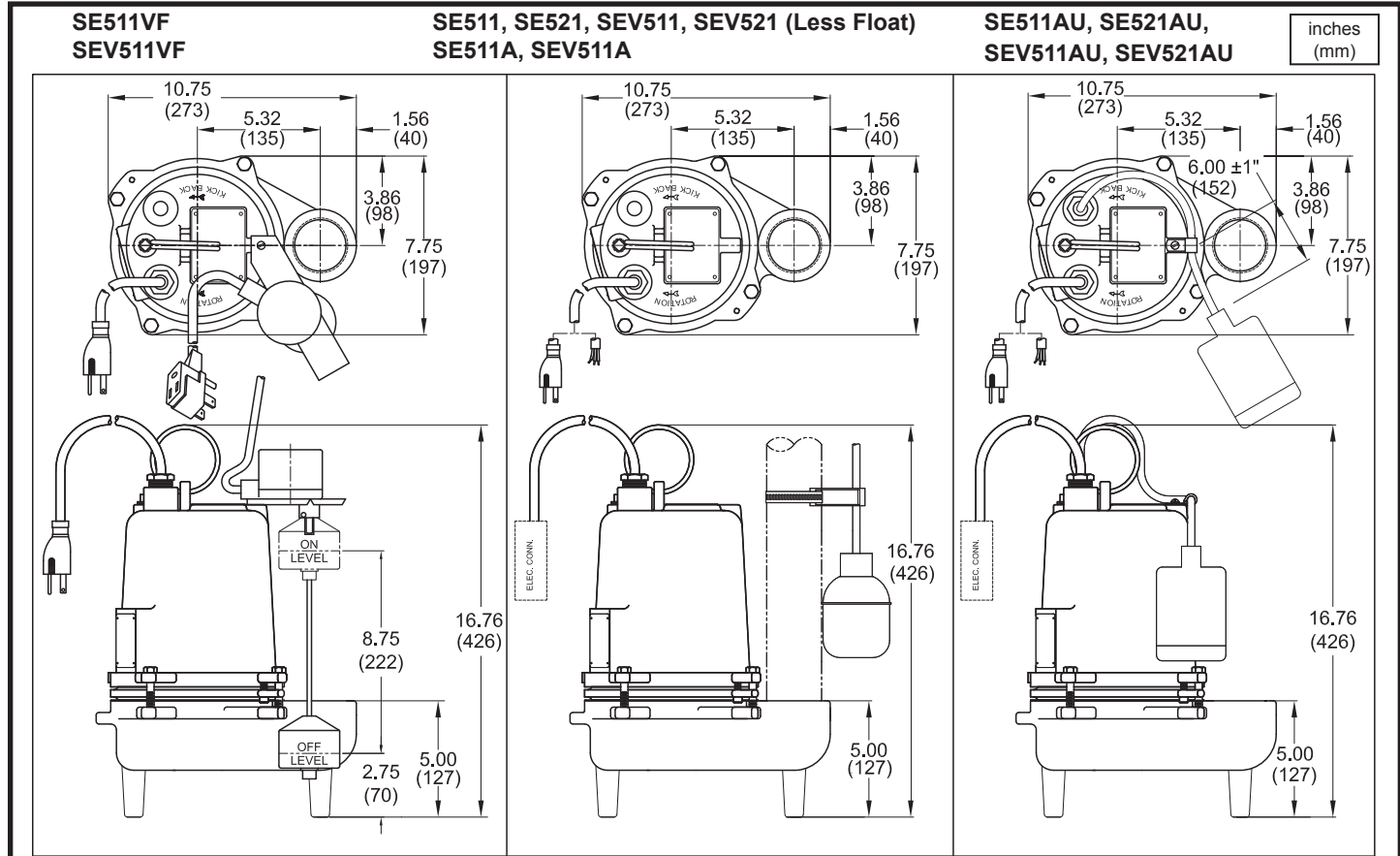
# Series SE/SEV-511/521

2" Spherical Solids Handling  
Manual & Automatic

# BARNES®

www.cranepumps.com

1½", 2" & 3" Discharge



MODEL NO	PART NO	HP	VOLT/PH	Hz	RPM (Nom)	NEMA START CODE	FULL LOAD AMPS	LOCKED ROTOR AMPS	CORD SIZE	CORD TYPE	CORD O.D. inch (mm)
SE511	096752	0.5	115/1	60	1750	A	12.0	26.0	14/3	SJTOW	0.375 (9.5)
SE511A	096753	0.5	115/1	60	1750	A	12.0	26.0	14/3	SJTOW	0.375 (9.5)
SE511AU	096754	0.5	115/1	60	1750	A	12.0	26.0	14/3	SJTOW	0.375 (9.5)
SE511VF	100837	0.5	115/1	60	1750	A	12.0	26.0	14/3	SJTOW	0.375 (9.5)
SE521	096755	0.5	230/1	60	1750	A	6.2	13.0	14/3	SJTOW	0.375 (9.5)
SE521AU	096756	0.5	230/1	60	1750	A	6.2	13.0	14/3	SJTOW	0.375 (9.5)
SEV511	096757	0.5	115/1	60	1750	A	12.0	26.0	14/3	SJTOW	0.375 (9.5)
SEV511A	096758	0.5	115/1	60	1750	A	12.0	26.0	14/3	SJTOW	0.375 (9.5)
SEV511AU	096759	0.5	115/1	60	1750	A	12.0	26.0	14/3	SJTOW	0.375 (9.5)
SEV511VF	100838	0.5	115/1	60	1750	A	12.0	26.0	14/3	SJTOW	0.375 (9.5)
SEV521	096760	0.5	230/1	60	1750	A	6.2	13.0	14/3	SJTOW	0.375 (9.5)
SEV521AU	096761	0.5	230/1	60	1750	A	6.2	13.0	14/3	SJTOW	0.375 (9.5)

Mechanical Switch on SE-A, cord 16/2, SJOW, Piggy-Back Plug  
 Mechanical Switch on SE-AU, cord 14/2, SJOW, 0.370 (9.4mm) O.D.  
 Vertical Switch on SE-VF, cord 16/2, SJOW, 0.320 (8.1mm) O.D. Piggy-Back Plug

**IMPORTANT !**

- 1.) PUMP MAY BE OPERATED "DRY" FOR EXTENDED PERIODS WITHOUT DAMAGE TO MOTOR AND/OR SEALS.
- 2.) INSTALLATIONS SUCH AS DECORATIVE FOUNTAINS OR WATER FEATURES PROVIDED FOR VISUAL ENJOYMENT MUST BE INSTALLED IN ACCORDANCE WITH THE NATIONAL ELECTRIC CODE ANSI/NFPA 70 AND/OR THE AUTHORITY HAVING JURISDICTION. THIS PUMP IS NOT INTENDED FOR USE IN SWIMMING POOLS, RECREATIONAL WATER PARKS, OR INSTALLATIONS IN WHICH HUMAN CONTACT WITH PUMPED MEDIA IS A COMMON OCCURRENCE.

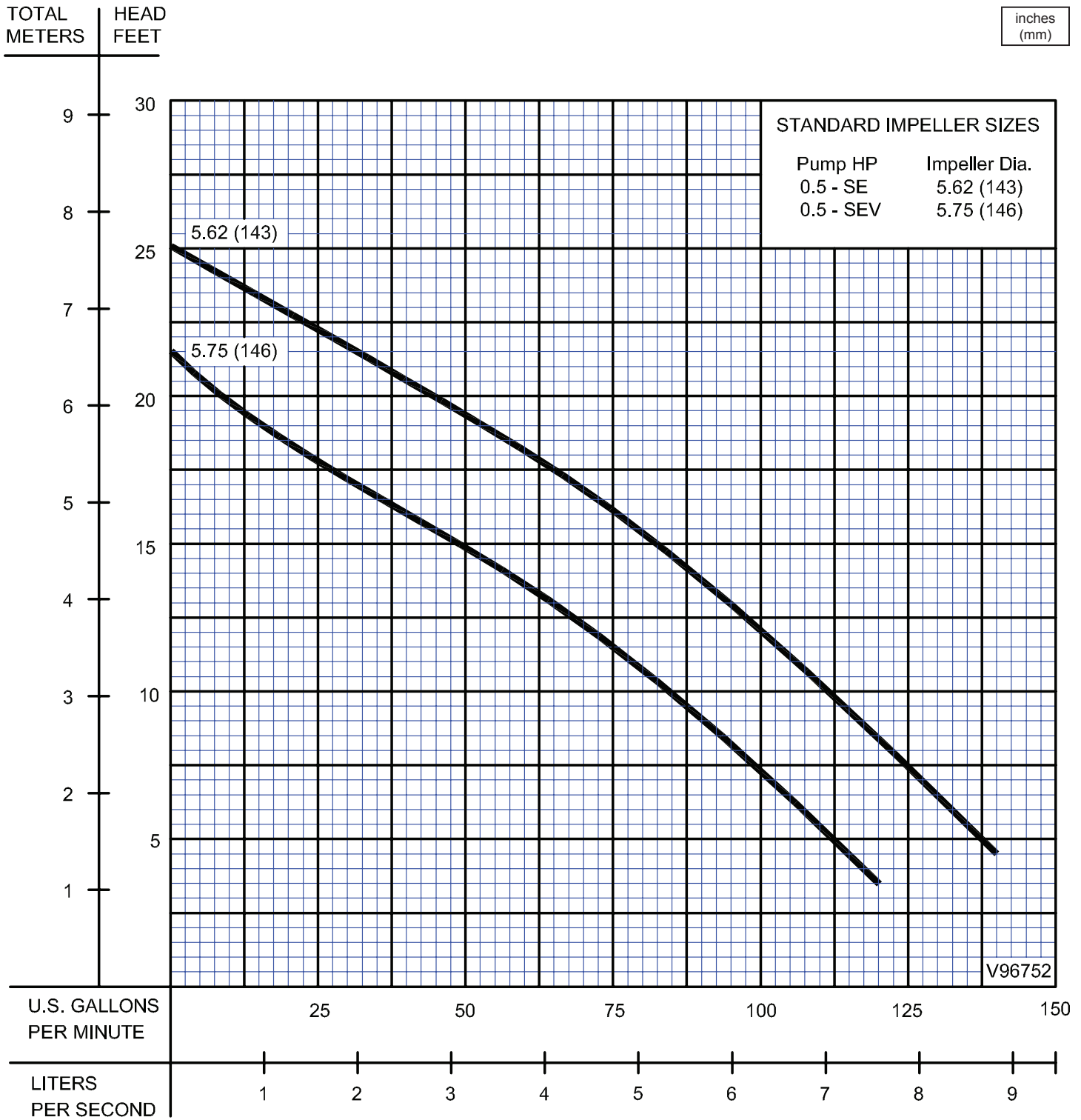
SECTION 1B  
PAGE 8  
DATE 5/19

**CRANE**®

A Crane Co. Company

PUMPS & SYSTEMS

USA: (937) 778-8947 • Canada: (905) 457-6223 • International: (937) 615-3598



Testing is performed with water, specific gravity 1.0 @ 68° F @ (20°C), other fluids may vary performance