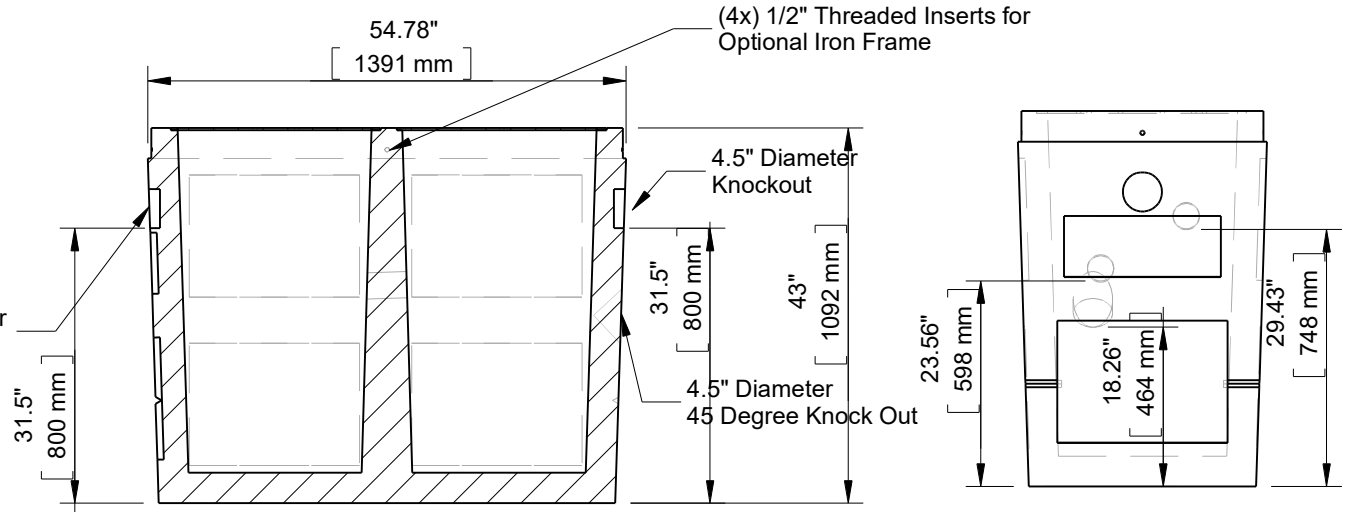
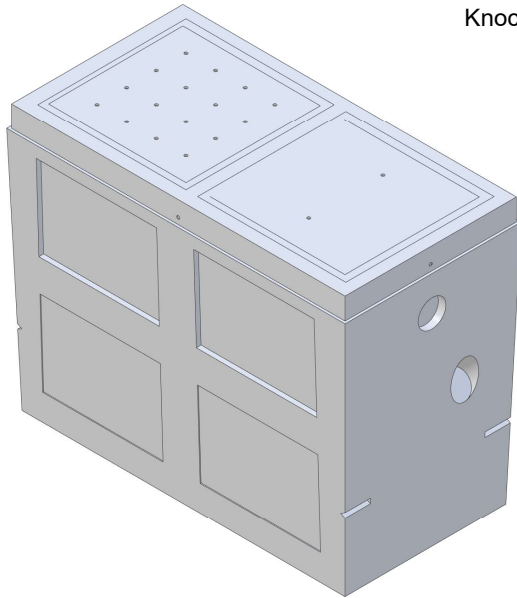
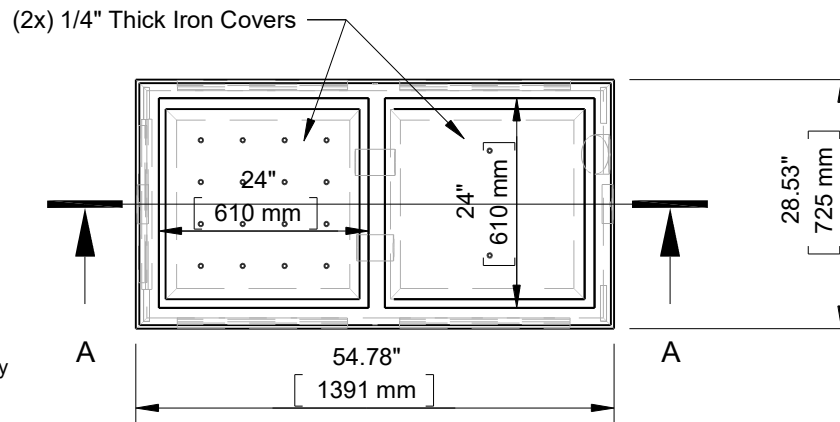




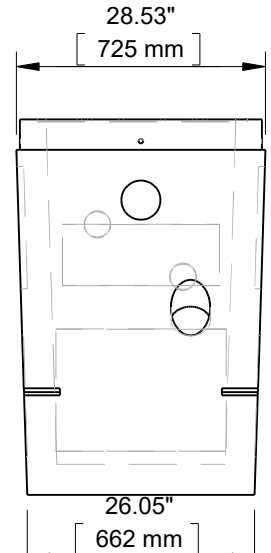
**Double Compartment Garage Sump
Comes With Covers (12010)**



Section A-A



This drawing is the property of Alberta Wilbert Sales Ltd.
There is no guarantee or representation to the user as to the suitability
or reliability of this data for any purpose. The user accepts the data
"as is" and assumes all risks associated with its use.



Edmonton
16910-129 Ave. NW
Edmonton, AB
T5V 1L1
Toll Free: 1-800-232-7385
Bus: (780-447-2222
Fax: (780) 447-1984

Calgary
4315-58 Ave. S.E.
Calgary, AB
T2C 1Y3
Bus: (403) 230-1666
Fax: (403) 276-4176

Capacity: 160 Imp. Gallons
Weight: 2200Lbs. / 998Kg.
Volume: 80 Imp. Gallons per side
Handles up to 5000 pounds
Comes With 1/4 " Thick Covers
Optional Iron Frame

Checked by	Item 12010	Date 11.26.22	Scale
File name	Double Compartment Garage Sump Comes With Covers (12010)		
For Discussion Only.			Drawn by M.D.