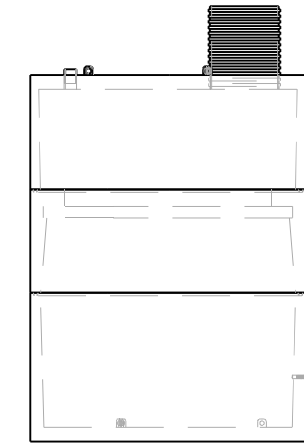
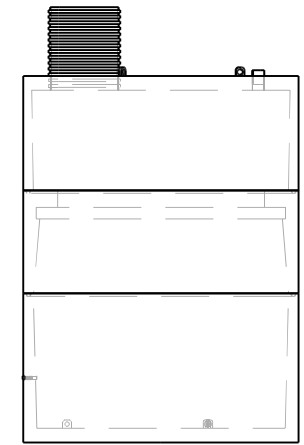
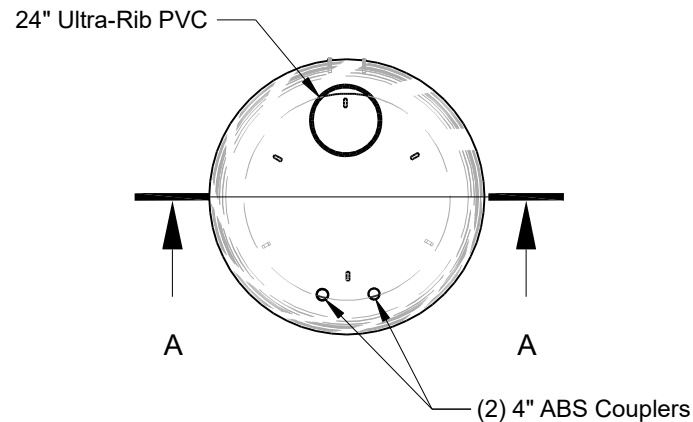
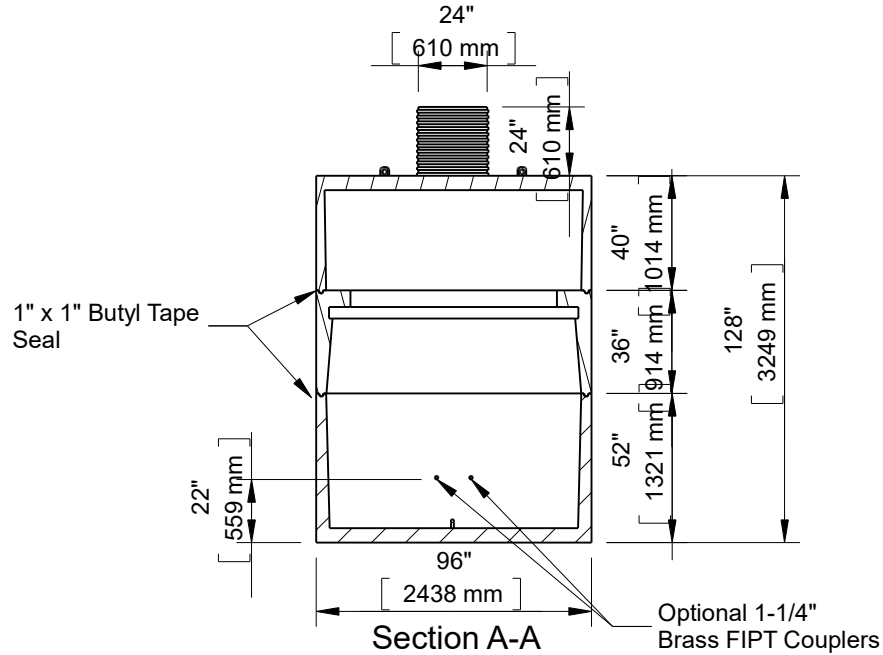
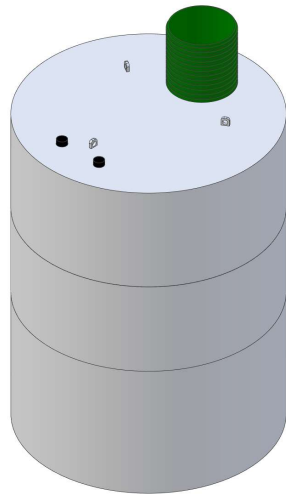




**8Ft. Diameter 2600 Gallon 1 GMH
Cistern - Holding
(11054CG)**



This drawing is the property of Alberta Wilbert Sales Ltd.
There is no guarantee or representation to the user as to the suitability
or reliability of this data for any purpose. The user accepts the data
"as is" and assumes all risks associated with its use.

Edmonton
16910-129 Ave. NW
Edmonton, AB
T5V 1L1
Toll Free: 1-800-232-7385
Bus: (780-447-2222

Calgary
4315-58 Ave. S.E.
Calgary, AB
T2C 1Y3
Bus: (403) 230-1666
Fax: (403) 276-4176

Total Capacity: 2600 Imp. Gal. (11804 L)
Gallons / Inch: 22.2 Gall. / Inch (100.9 L / Inch)
Material: Type 50 H/S Concrete
Weight: 18900Lbs. / 8573Kg.
Model: 8-2600
B66- CSA approved for up to 3 meters of burial.

Checked by	Item	Date	Scale
	11054CG	02.13.20	
File name 8Ft. Diameter 2600 Gallon 1 GMH Cistern - Holding (11054CG)			
For Discussion Only.			Drawn by M.D.