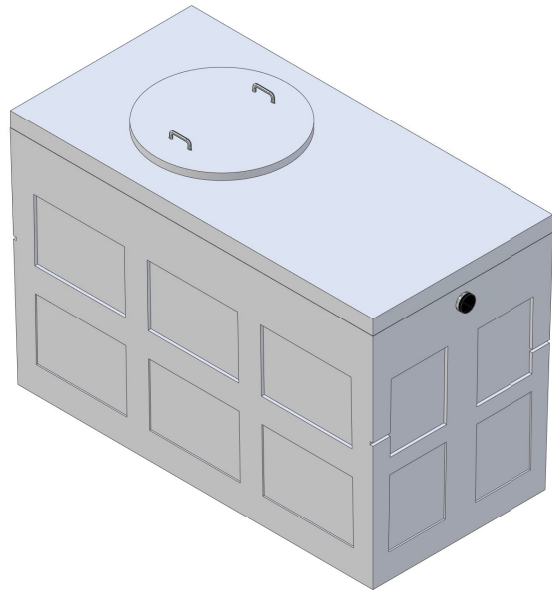
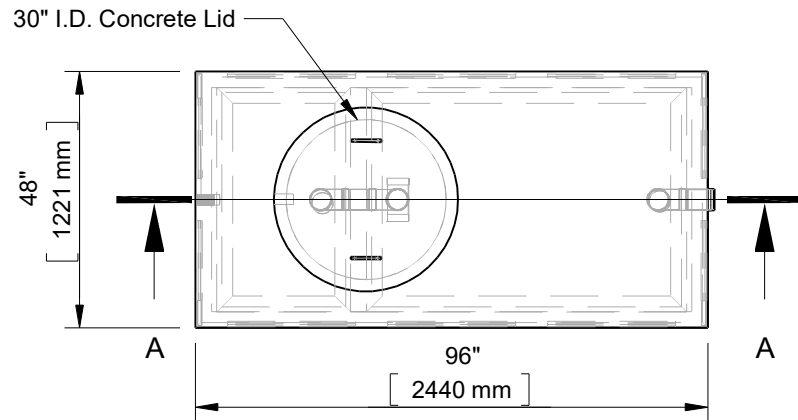
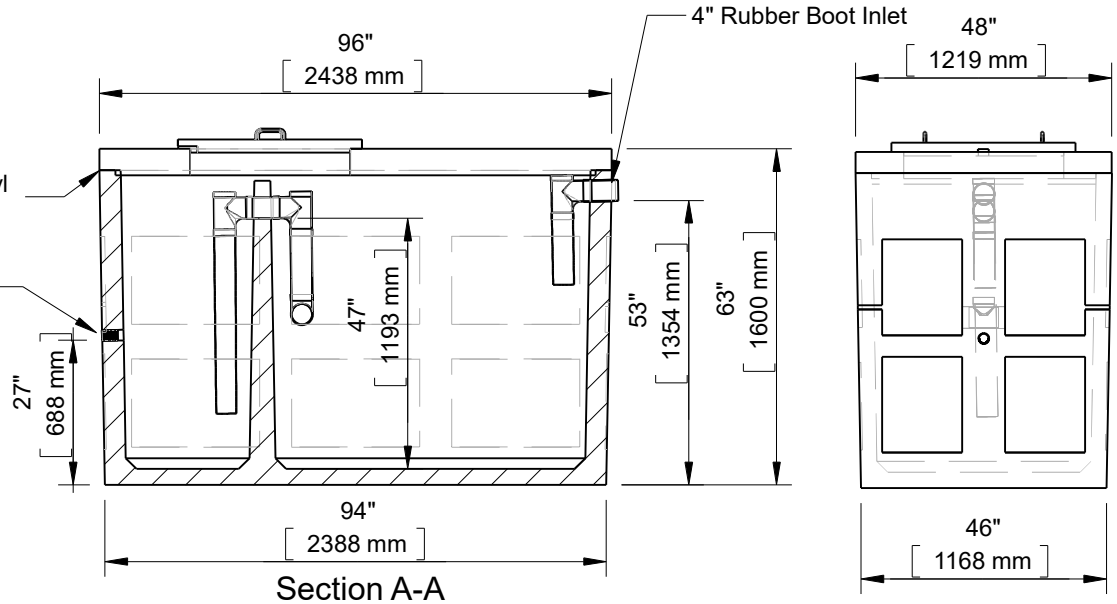




**700 Gallon Septic 1MH 30 Inch
(Requires Concrete Extensions)
(11010B)**



1/2 x 1-1/2" Butyl Rubber Seal
2" Brass FIPT Coupler



This drawing is the property of Alberta Wilbert Sales Ltd.
 There is no guarantee or representation to the user as to the suitability
 or reliability of this data for any purpose. The user accepts the data
 "as is" and assumes all risks associated with its use.

Edmonton
 16910-129 Ave. NW
 Edmonton, AB
 T5V 1L1
 Toll Free: 1-800-232-7385
 Bus: (780-447-2222
 Fax: (780) 447-1984

Calgary
 4315-58 Ave. S.E.
 Calgary, AB
 T2C 1Y3
 Bus: (403) 230-1666
 Fax: (403) 276-4176

Number of Bedrooms: N/A
 Working Capacity: 420 Imp. Gallons
 Pump Chamber: 165 Imp. Gallons
 Weight: 6850Lbs. / 3107Kg.
 Dosing Volume: 4.1 Gallons / Inch

CSA approved for up to 3 meters of burial.
 (1) 2" Brass FIPT Coupler

Checked by	Item	Date	Scale
	11010B	11.26.22	
File name		700 Gallon Septic 1MH 30 Inch (Requires Concrete Extensions) (11010B)	
For Discussion Only.			Drawn by M.D.