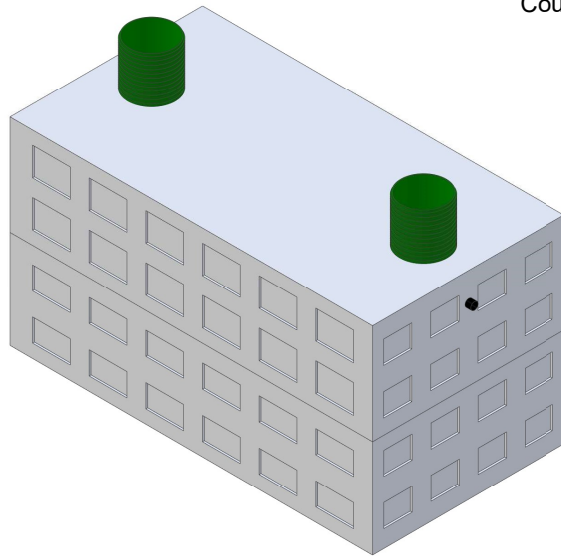
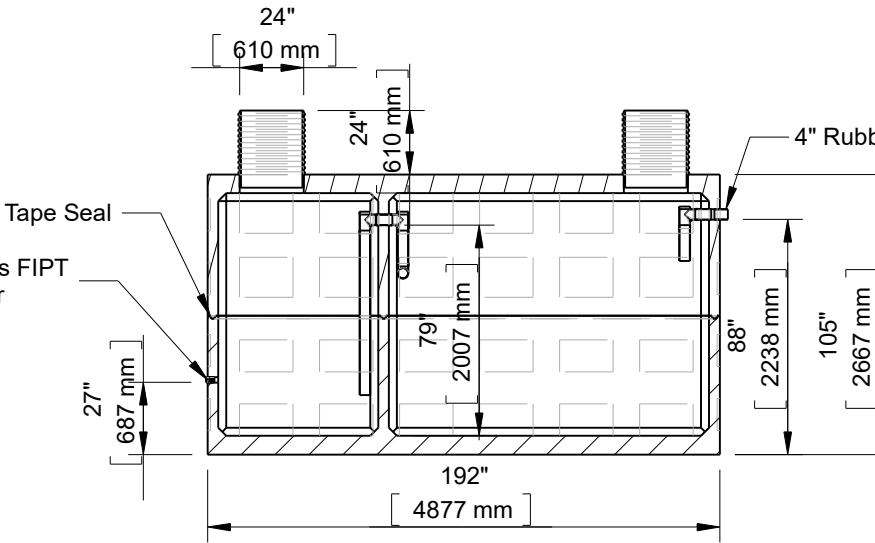




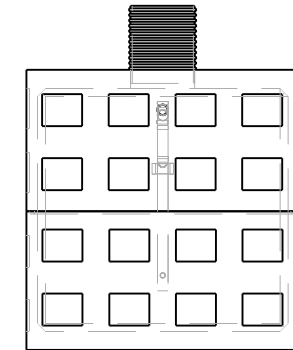
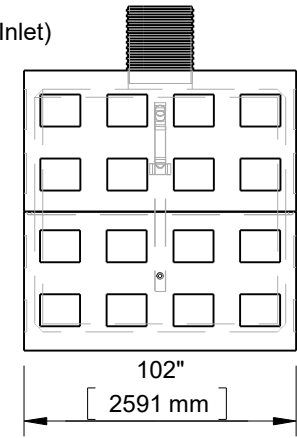
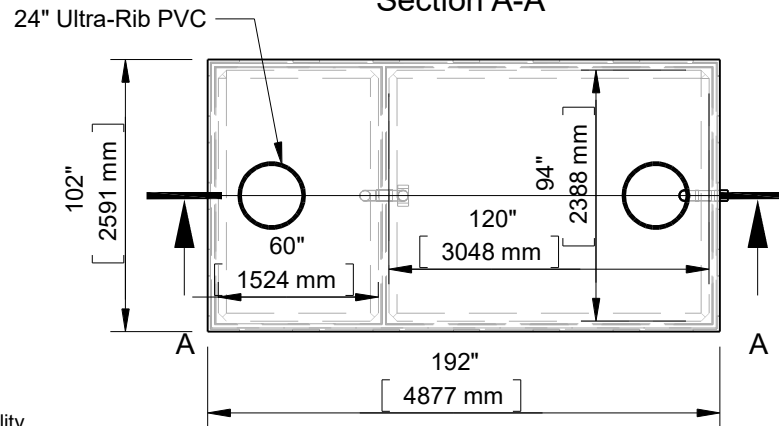
**5600 Gallon Septic 2GMH
(11093G)**



1" x 1" Butyl Tape Seal
2" Brass FIPT Coupler



Section A-A



This drawing is the property of Alberta Wilbert Sales Ltd.
There is no guarantee or representation to the user as to the suitability or reliability of this data for any purpose. The user accepts the data "as is" and assumes all risks associated with its use.

Edmonton
16910-129 Ave. NW
Edmonton, AB
T5V 1L1
Toll Free: 1-800-232-7385
Bus: (780-447-2222
Fax: (780) 447-1984

Calgary
4315-58 Ave. S.E.
Calgary, AB
T2C 1Y3
Bus: (403) 230-1666
Fax: (403) 276-4176

Number of Bedrooms: Design Specific
Working Capacity: 3668 Imp.Gallons
Pump Chamber: 1830 Imp. Gallons
Weight: 37500Lbs. / 1710Kg.
Dosing Volume: 20.5 Imp. Gal. / Inch

CSA approved for up to 1.8 meters of burial.
(1) 2" Brass FIPT Coupler

Checked by	Item	Date	Scale
	11093G	11.26.22	

File name	5600 Gallon Septic 2GMH (11093G)
-----------	-------------------------------------

For Discussion Only.

Drawn by M.D.