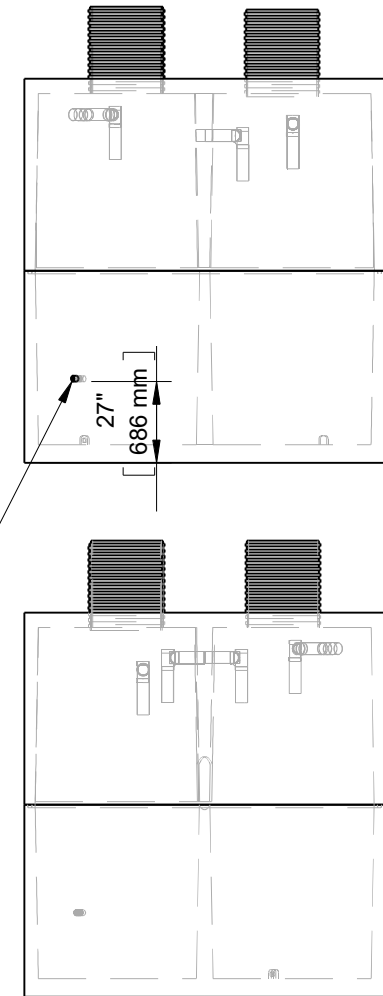
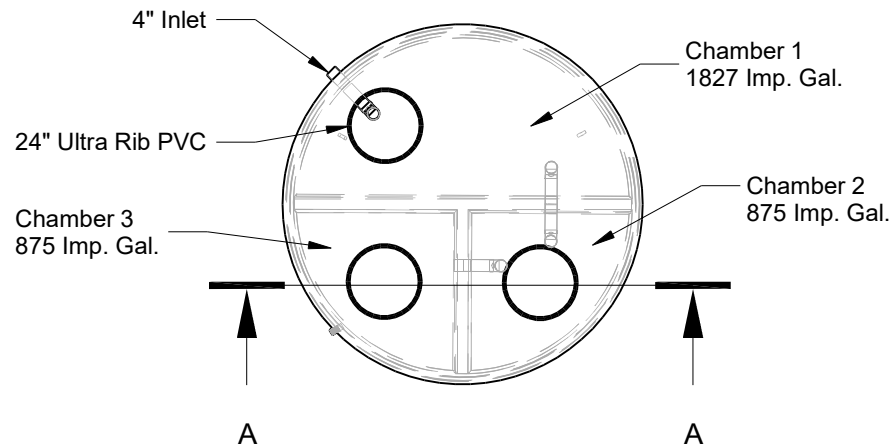
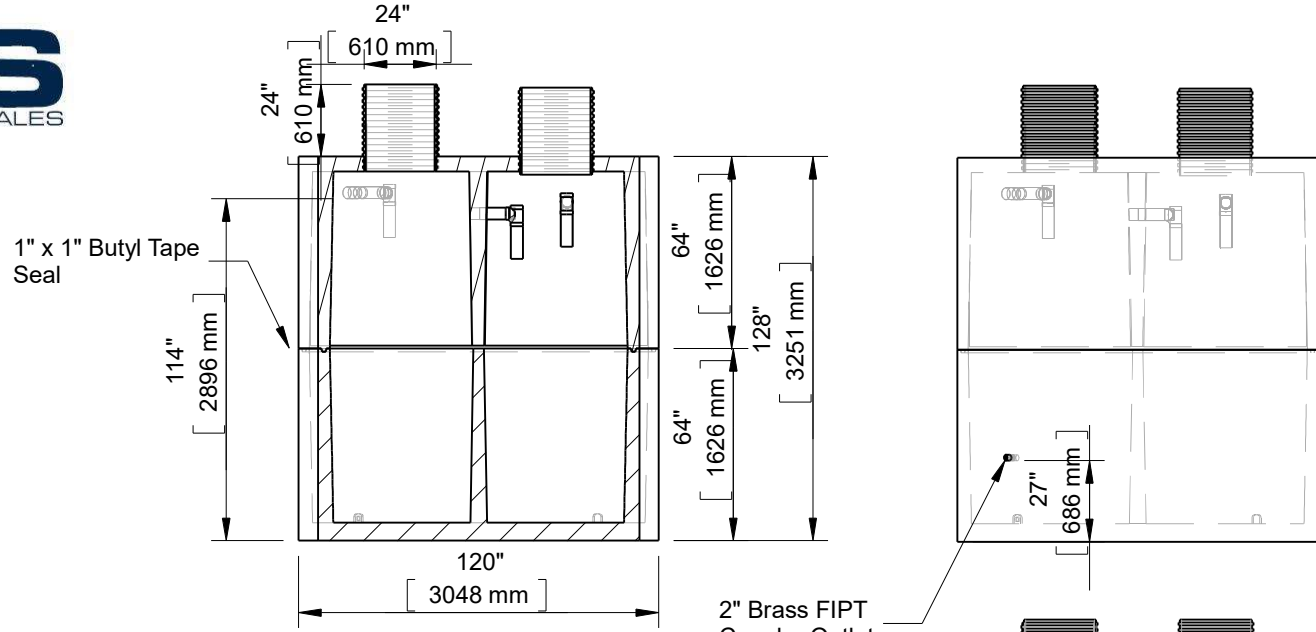
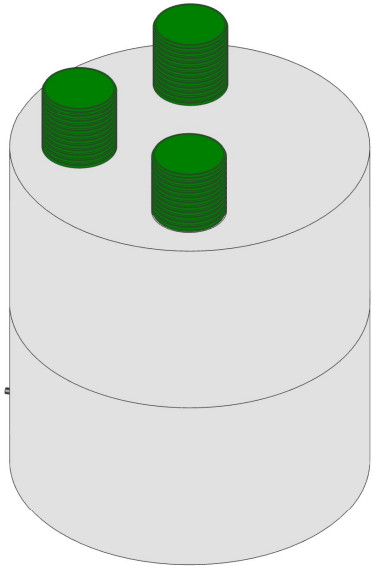




4100 Gallon 3 Chambered T Tank (11065G)



Edmonton
16910-129 Ave. NW
Edmonton, AB
T5V 1L1
Toll Free: 1-800-232-7385
Bus: (780-447-2222
Fax: (780) 447-1984

Calgary
4315-58 Ave. S.E.
Calgary, AB
T2C 1Y3
Bus: (403) 230-1666
Fax: (403) 276-4176

Penhold
930 Fleming Ave
Penhold, AB
T0M 1R0
Bus: (403) 886-4852
Fax: (403) 886-4853

Working Capacity: 2702 Imp. Gallons
Pump Chamber: 875 Imp. Gallons
Dose Volume: 7.5 Gal. / Inch (3rd Chamber)
Weight: 34800 Lbs. / 15785 Kg.

CSA approved for up to 3 meters of burial.
(1) 2" Brass FIPT Coupler
Outlet Height: 27"

Checked by	Item 11065G	Date 02.11.20	Scale
File name	4100 Gallon 3 Chambered T Tank (11065G)		
For Discussion Only.			Drawn by M.D.