

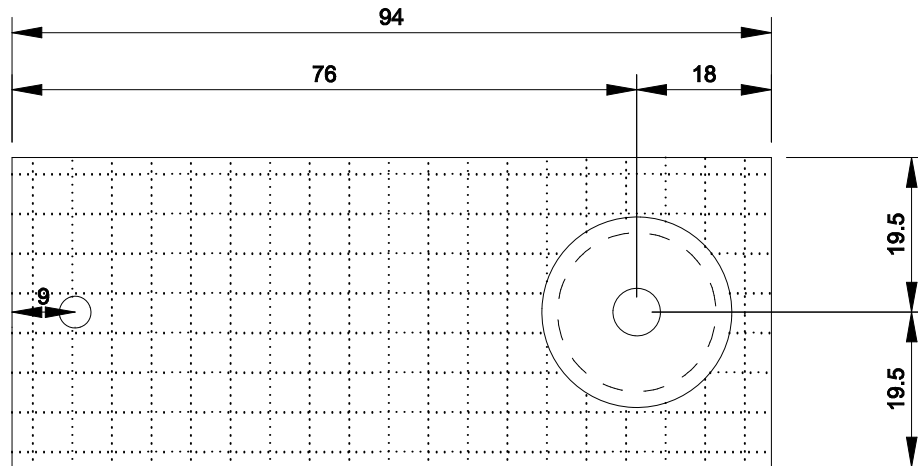
350 Gallon Holding Tank

ALL MEASUREMENTS ARE IN INCHES

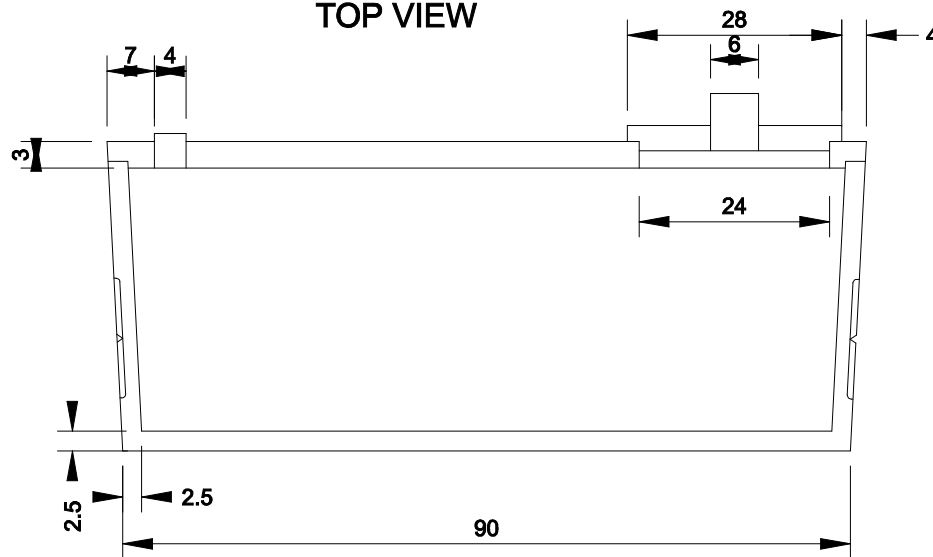
SCALE : 1/2" = 1'

ALBERTA
WILBERT
SALES

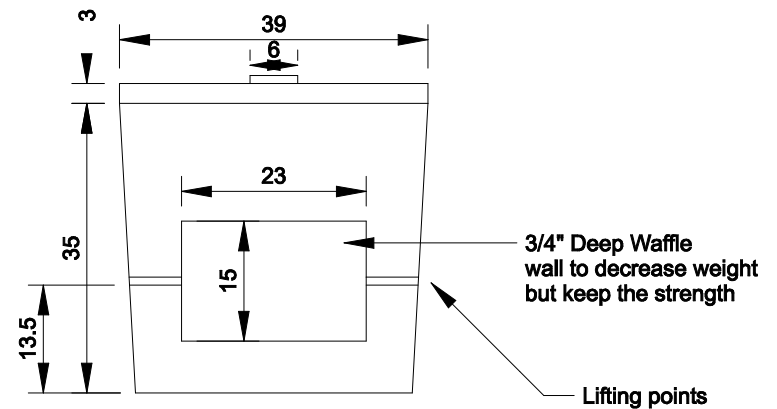
GROUNDED IN EXCELLENCE



TOP VIEW



SECTION VIEW



END VIEW

DATE: 16910 129 AVENUE
PHONE: 780-447-2222 EDMONTON, AB
FAX: 780-447-1984 T5V 1L1