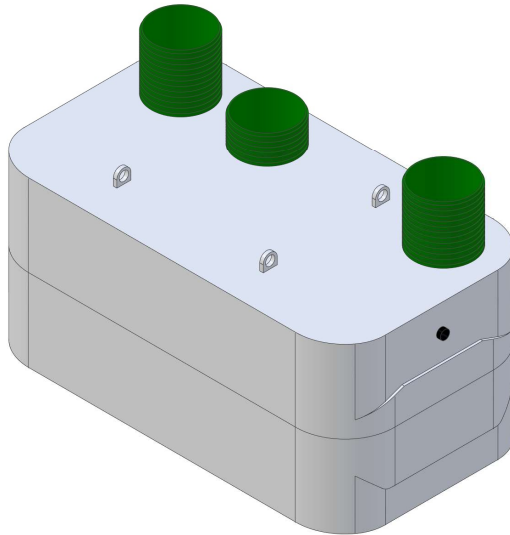
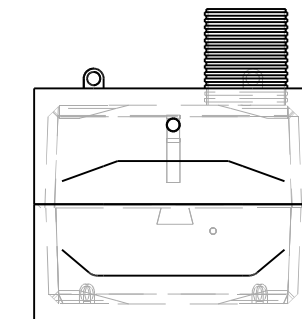
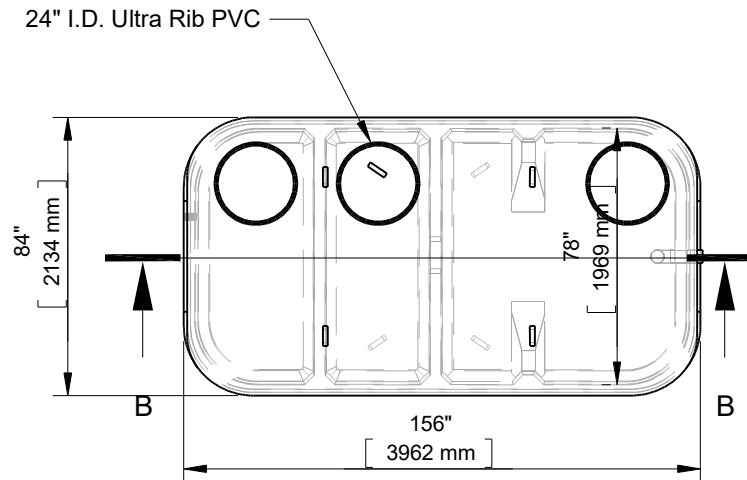
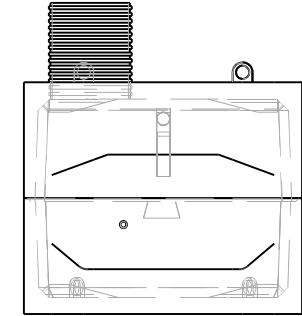
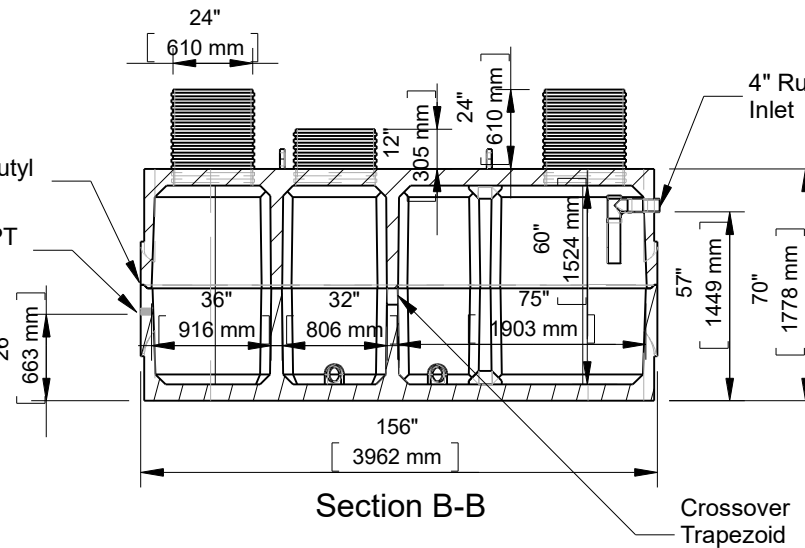




**3 Chambered 2000 Imp. Gallon  
Advantex Treatment AX-20 (11021GH)**



1" x 1-1/2" Butyl  
Tape Seal  
2" Brass FIPT  
Coupler



This drawing is the property of Alberta Wilbert Sales Ltd.  
There is no guarantee or representation to the user as to the suitability  
or reliability of this data for any purpose. The user accepts the data  
"as is" and assumes all risks associated with its use.

**Edmonton**  
16910-129 Ave. NW  
Edmonton, AB  
T5V 1L1  
Toll Free: 1-800-232-7385  
Bus: (780-447-2222  
Fax: (780) 447-1984

**Calgary**  
4315-58 Ave. S.E.  
Calgary, AB  
T2C 1Y3  
Bus: (403) 230-1666  
Fax: (403) 276-4176

Number of Bedrooms: 4  
Chamber 1: 1097 Imp. Gallons  
Chamber 2: 468 Imp. Gallons  
Chamber 3: 526 Imp. Gallons  
Weight: 19800Lbs./ 8981Kg.  
  
CSA approved for 4m burial.

Checked by	Item 11021GH	Date 11.26.22	Scale
File name	3 Chambered 2000 Imp. Gallon Advantex Treatment AX-20 (11021GH)		
For Discussion Only.			Drawn by M.D.