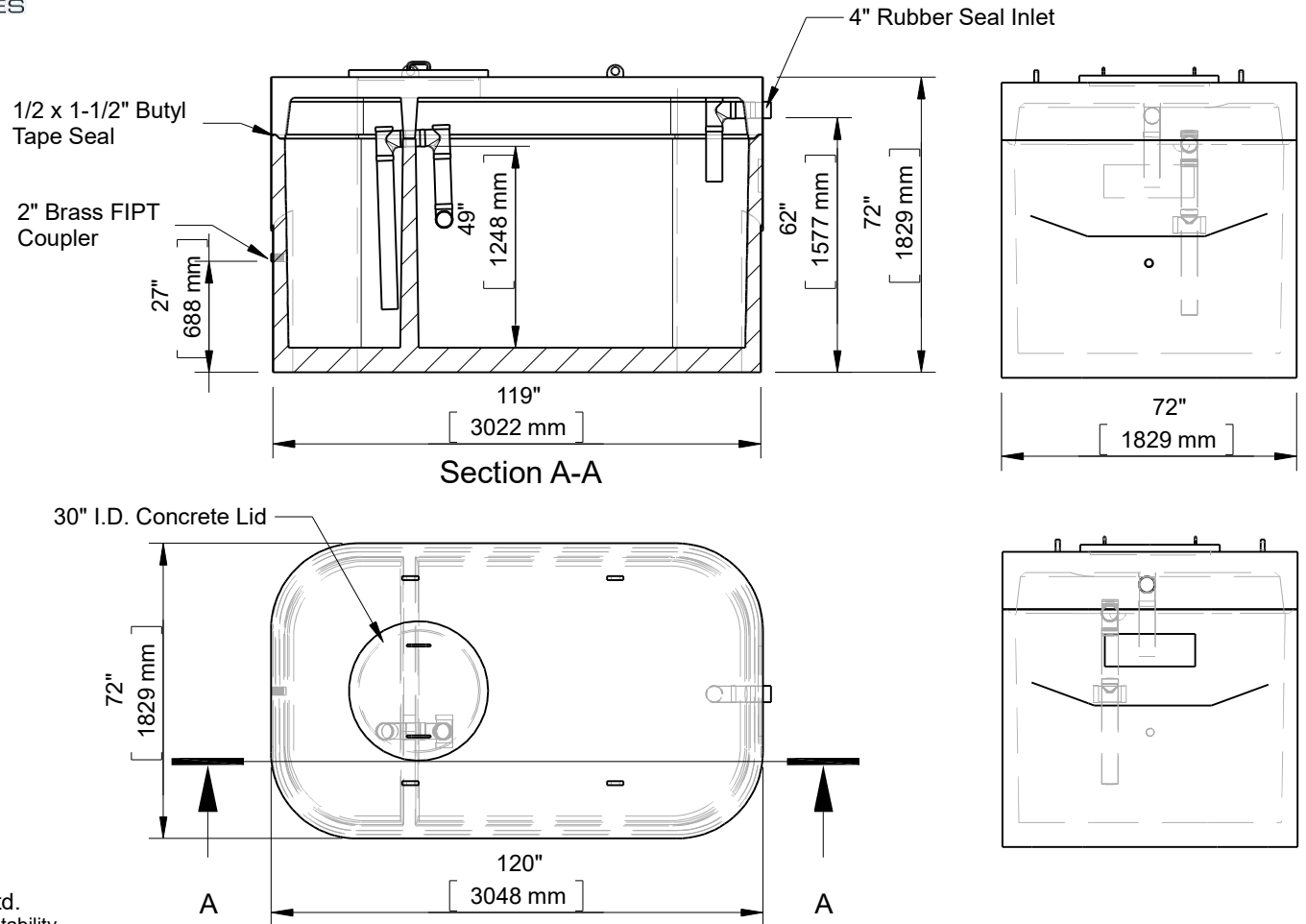
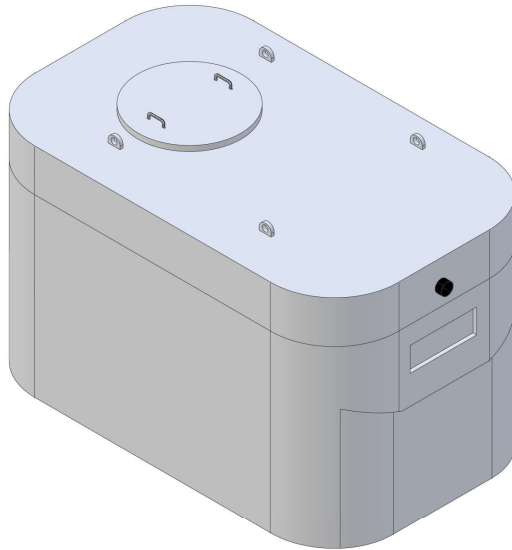




**1500 Gallon Septic 1MH
Requires Concrete Extensions
(11016B)**



This drawing is the property of Alberta Wilbert Sales Ltd. There is no guarantee or representation to the user as to the suitability or reliability of this data for any purpose. The user accepts the data "as is" and assumes all risks associated with its use.

Edmonton
16910-129 Ave. NW
Edmonton, AB
T5V 1L1
Toll Free: 1-800-232-7385
Bus: (780-447-2222
Fax: (780) 447-1984

Calgary
4315-58 Ave. S.E.
Calgary, AB
T2C 1Y3
Bus: (403) 230-1666
Fax: (403) 276-4176

Number of Bedrooms: 3
Working Capacity: 950 Imp. Gallons
Pump Chamber: 350 Imp. Gallons
Weight: 13600 Lbs. / 6169 Kg.
Dosing Volume: 6.3 Imp. Gallons/ Inch

CSA approved for up to 3 meters of burial.
(1) 2" Brass FIPT Coupler

| Checked by | Item | Date | Scale |
|-------------------------------------------------------------------------------|--------|----------|---------------|
| | 11016B | 11.26.22 | |
| File name: 1500 Gallon Septic 1MH Requires Concrete Extensions (11016B) | | | |
| For Discussion Only. | | | Drawn by M.D. |