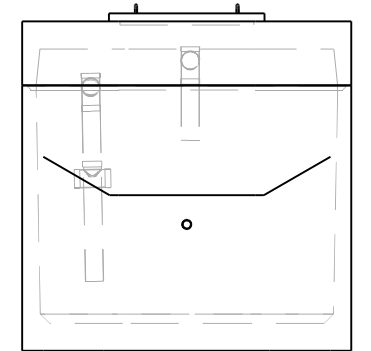
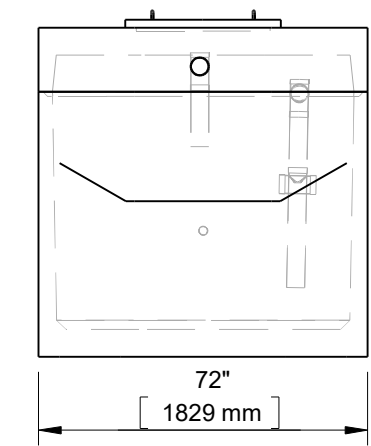
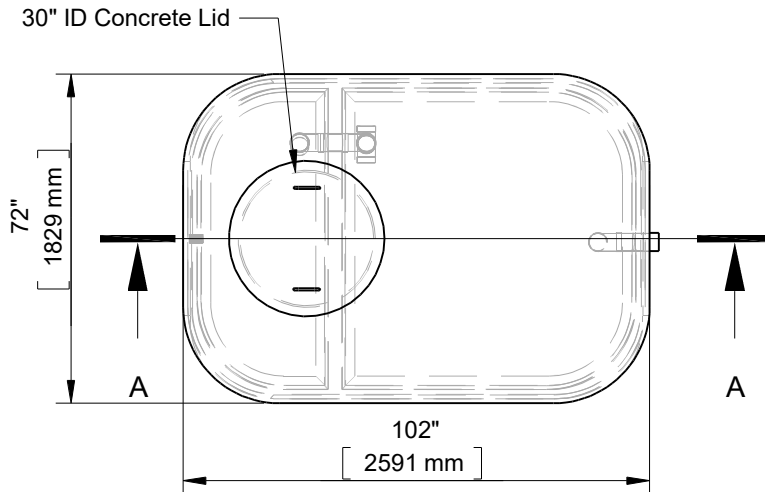
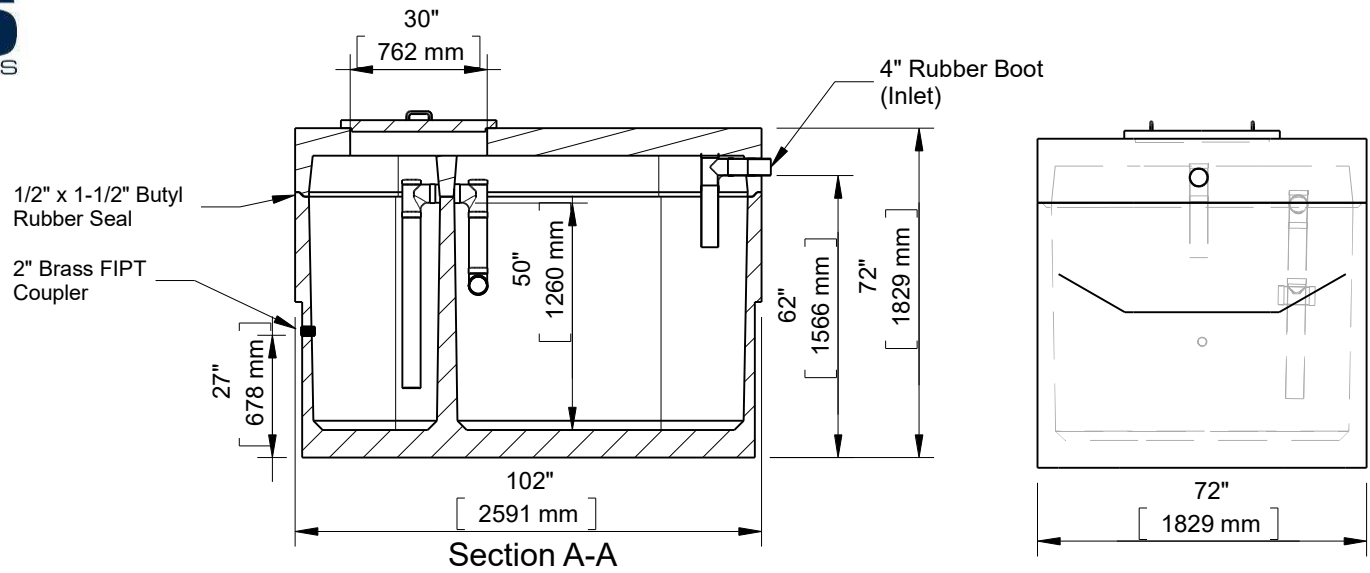
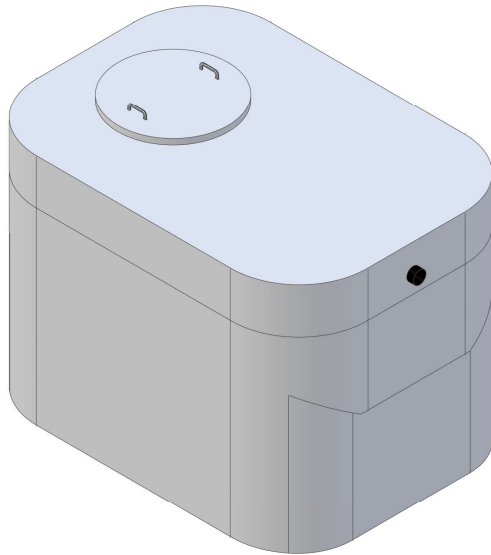




**1200 Gallon 1MH Septic
Requires 30" Concrete Extensions
(11014B)**



This drawing is the property of Alberta Wilbert Sales Ltd. There is no guarantee or representation to the user as to the suitability or reliability of this data for any purpose. The user accepts the data "as is" and assumes all risks associated with its use.

Edmonton 16910-129 Ave. NW Edmonton, AB T5V 1L1 Toll Free: 1-800-232-7385 Bus: (780) 447-2222 Fax: (780) 447-1984	Calgary 4315-58 Ave. S.E. Calgary, AB T2C 1Y3 Bus: (403) 230-1666 Fax: (403) 276-4176	Number of Bedrooms: 2-3 Bedrooms Working Capacity: 750 Imp. Gallons Pump Chamber: 300 Imp. Gallons Weight: 11900Lbs. / 5398Kg. Dosing Volume: 5.6 Imp. Gallons / Inch CSA approved for up to 5 meters of burial. (1) 2" Brass FIPT Coupler	Checked by	Item 11014B	Date 11.26.22	Scale
			File name 1200 Gallon 1MH Septic Requires 30" Concrete Extensions (11014B)			
			For Discussion Only.			