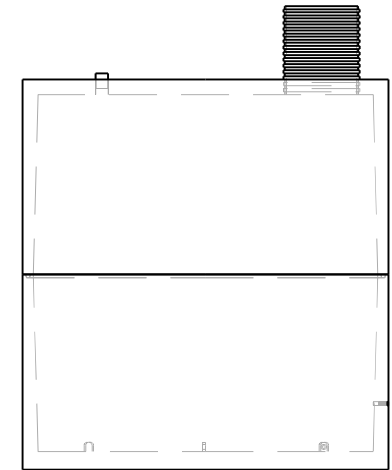
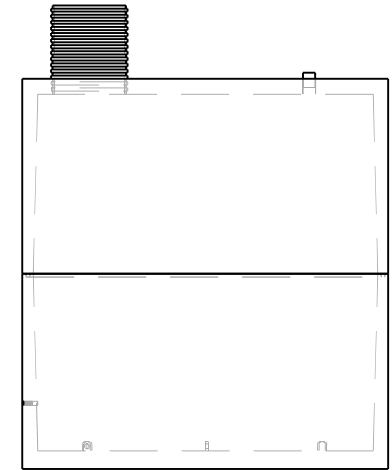
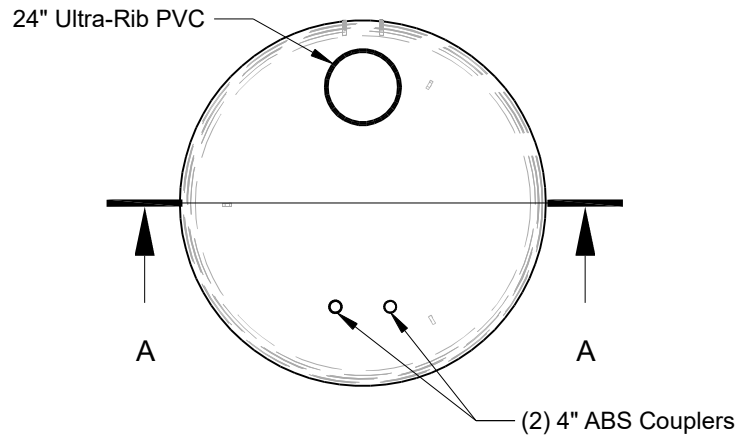
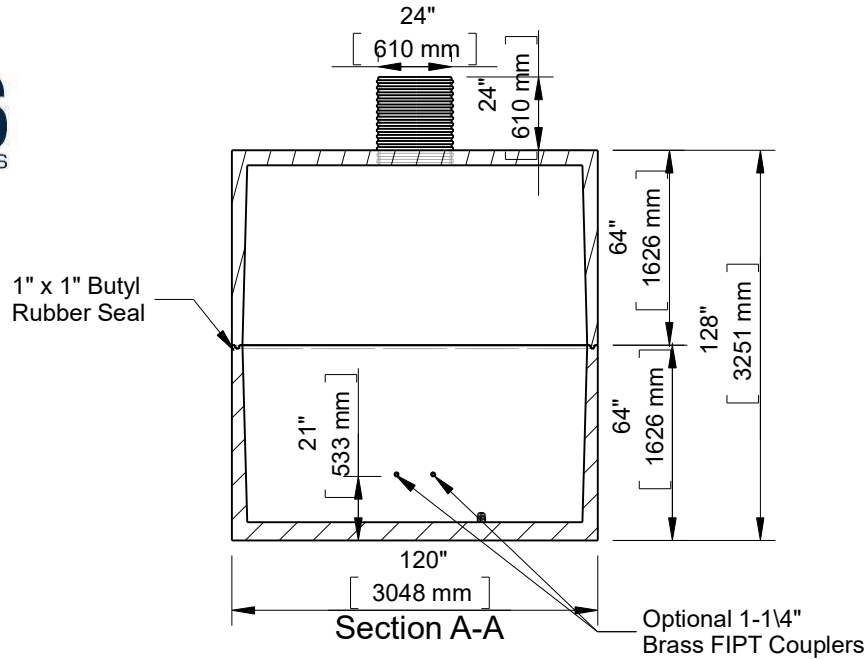
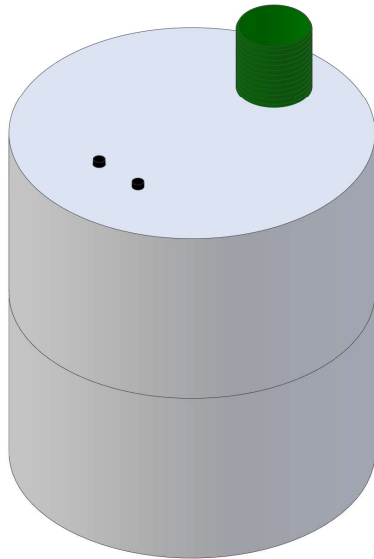




**10Ft Diameter 4100 Gallon 1GMH
Cistern Holding
(11063CG)**



This drawing is the property of Alberta Wilbert Sales Ltd.
There is no guarantee or representation to the user as to the suitability
or reliability of this data for any purpose. The user accepts the data
"as is" and assumes all risks associated with its use.

Edmonton
16910-129 Ave. NW
Edmonton, AB
T5V 1L1
Toll Free: 1-800-232-7385
Bus: (780-447-2222)

Calgary
4315-58 Ave. S.E.
Calgary, AB
T2C 1Y3
Bus: (403) 230-1666
Fax: (403) 276-4176

Total Capacity: 4100 Imp. Gal. (18614L)
Gallons / Inch: 34.7Gal. / Inch (157.7L / Inch)
Material: Type 50/HS Concrete
Weight: 26050Lbs. (11816Kg.)
Model: 10-4100
B66- CSA approved for up to 3 meters of burial.

Checked by	Item 11063CG	Date 11.27.22	Scale
File name	10Ft Diameter 4100 Gallon 1GMH Cistern Holding (11063CG)		
For Discussion Only.			Drawn by M.D.