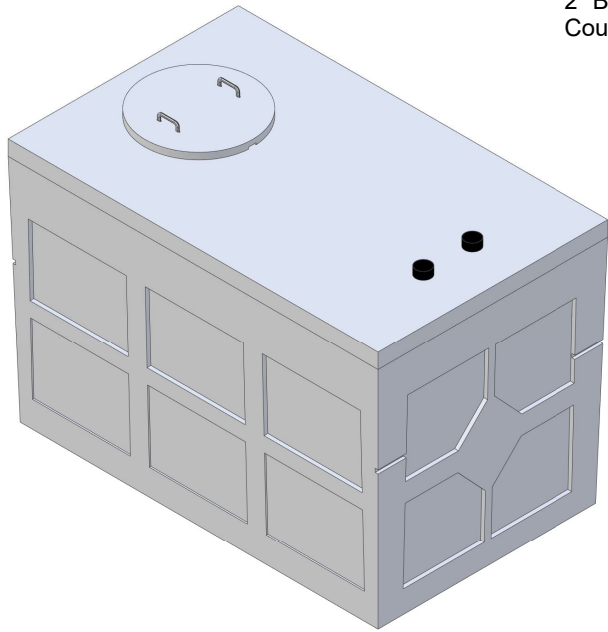
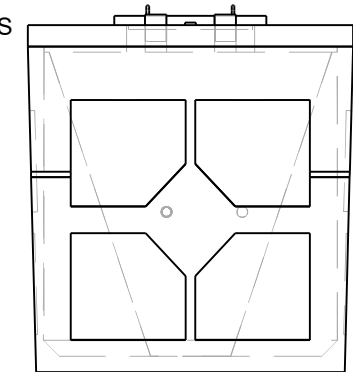
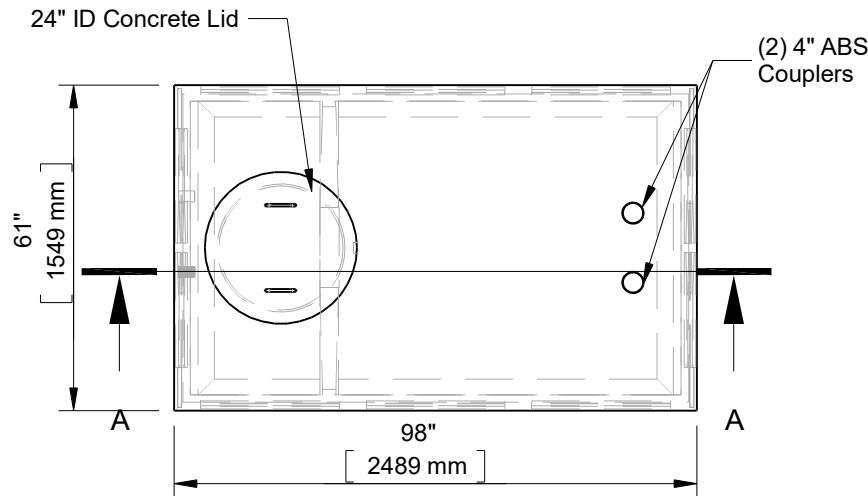
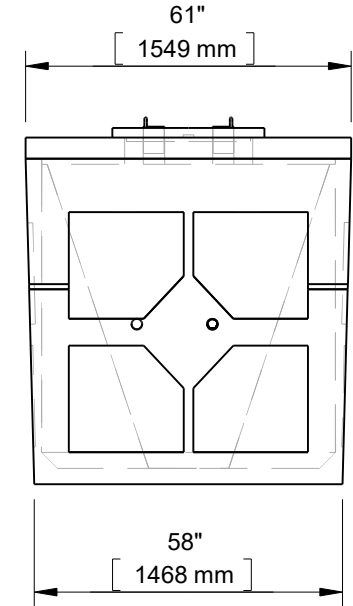
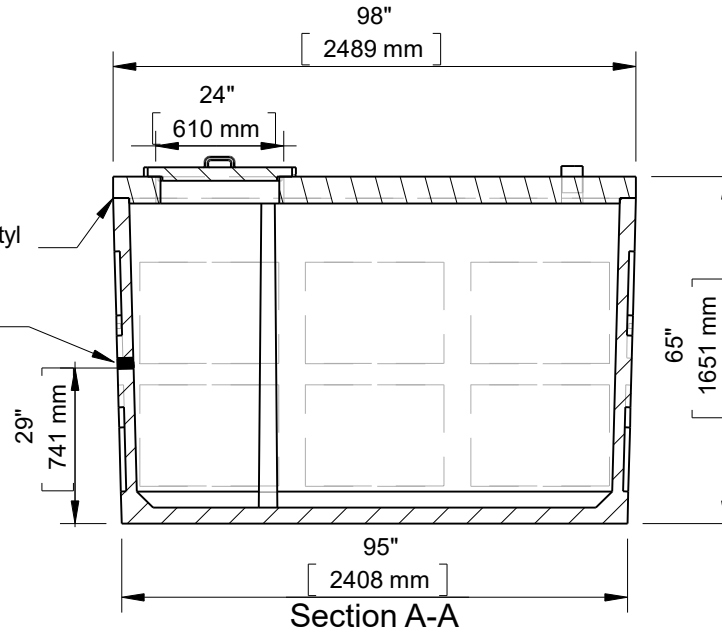




**1000 Gallon Cistern - Holding (11015H)  
(Requires Concrete Extensions)**



1/2" x 1-1/2" Butyl Tape Seal  
2" Brass FIPT Coupler



This drawing is the property of Alberta Wilbert Sales Ltd. There is no guarantee or representation to the user as to the suitability or reliability of this data for any purpose. The user accepts the data "as is" and assumes all risks associated with its use.

**Edmonton**  
16910-129 Ave. NW  
Edmonton, AB  
T5V 1L1  
Toll Free: 1-800-232-7385  
Bus: (780) 447-2222  
Fax: (780) 447-1984

**Calgary**  
4315-58 Ave. S.E.  
Calgary, AB  
T2C 1Y3  
Bus: (403) 230-1666  
Fax: (403) 276-4176

Number of Bedrooms: N/A  
Working Capacity: 1000 Imperial Gallons  
Pump Chamber: N/A  
Weight: 8430Lbs. / 3824Kg.  
Dosing Volume: N/A  
  
CSA approved for up to 3 meters of burial.  
2" Brass FIPT Coupler

Checked by	Item	Date	Scale
	11015H	11.26.22	
File name: 1000 Gallon Cistern - Holding Requires Concrete Extensions (11015H)			
For Discussion Only.			Drawn by M.D.