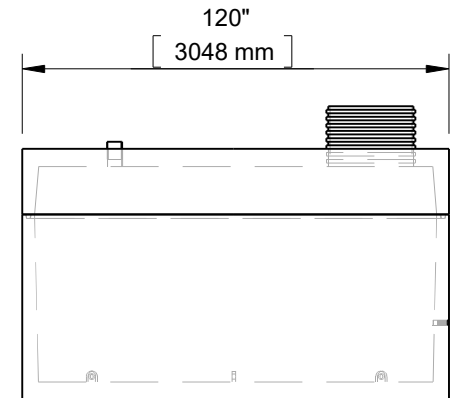
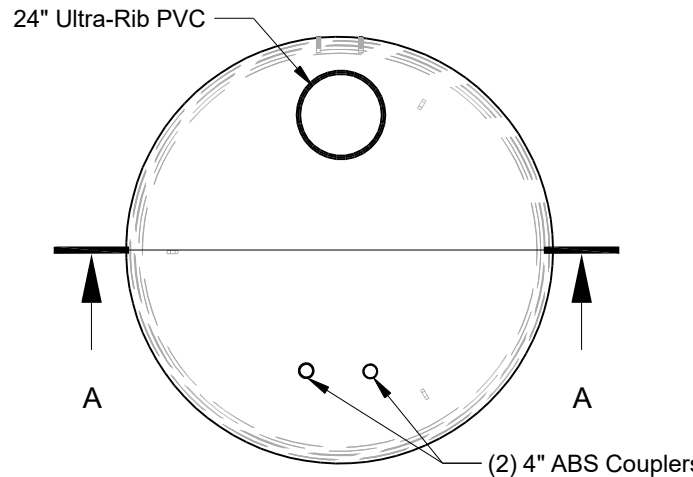
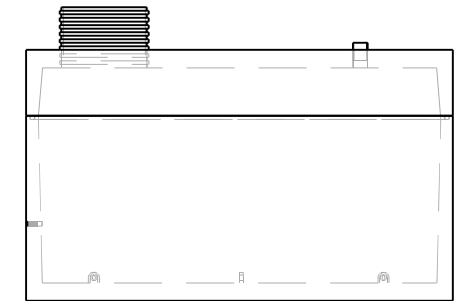
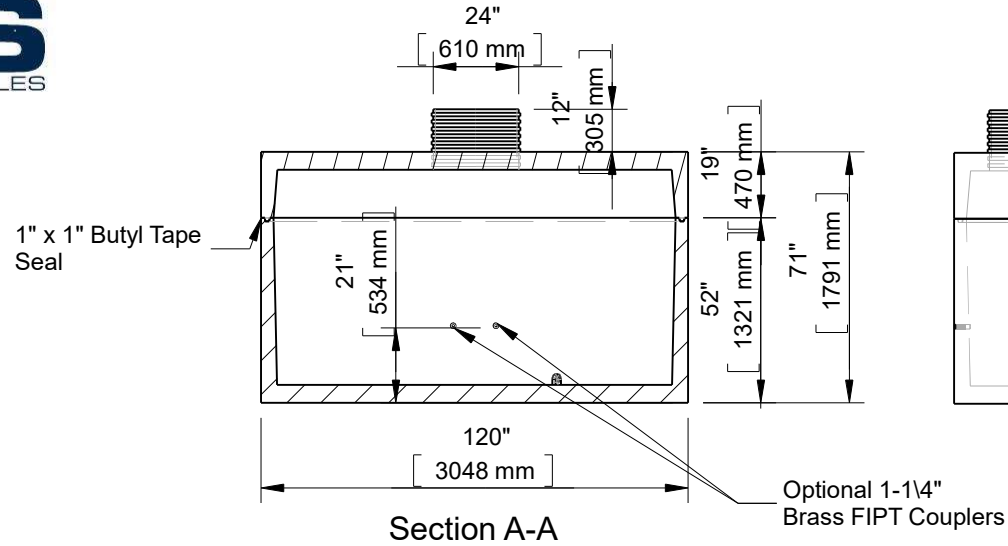
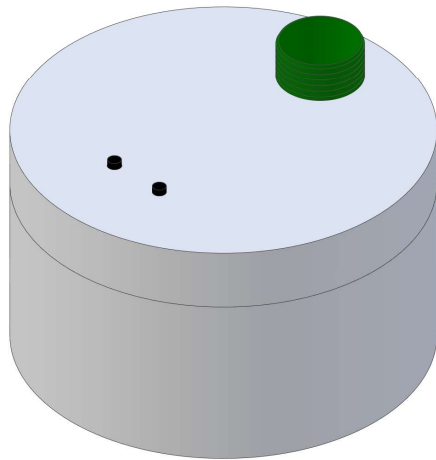




10 Ft Diameter 2000 Gallon 1GMH Cistern Holding (11072CG)



This drawing is the property of Alberta Wilbert Sales Ltd. There is no guarantee or representation to the user as to the suitability or reliability of this data for any purpose. The user accepts the data "as is" and assumes all risks associated with its use.

Edmonton
16910-129 Ave. NW
Edmonton, AB
T5V 1L1
Toll Free: 1-800-232-7385
Bus: (780-447-2222

Calgary
4315-58 Ave. S.E.
Calgary, AB
T2C 1Y3
Bus: (403) 230-1666
Fax: (403) 276-4176

Total Capacity: 2000 Imp. Gal. (9100 L)
Gallons / Inch: 33.9 Gal/Inch (154.1 L/Inch)
Material: Type 50/HS Concrete
Weight: 19500Lbs. / 8845Kg.
Model: 10-2000
B66- CSA approved for up to 3 meters of burial.

Checked by	Item	Date	Scale
	11072CG	11.26.22	
File name		10 Ft Diameter 2000 Gallon 1GMH Cistern Holding (11072CG)	
For Discussion Only.			Drawn by M.D.