

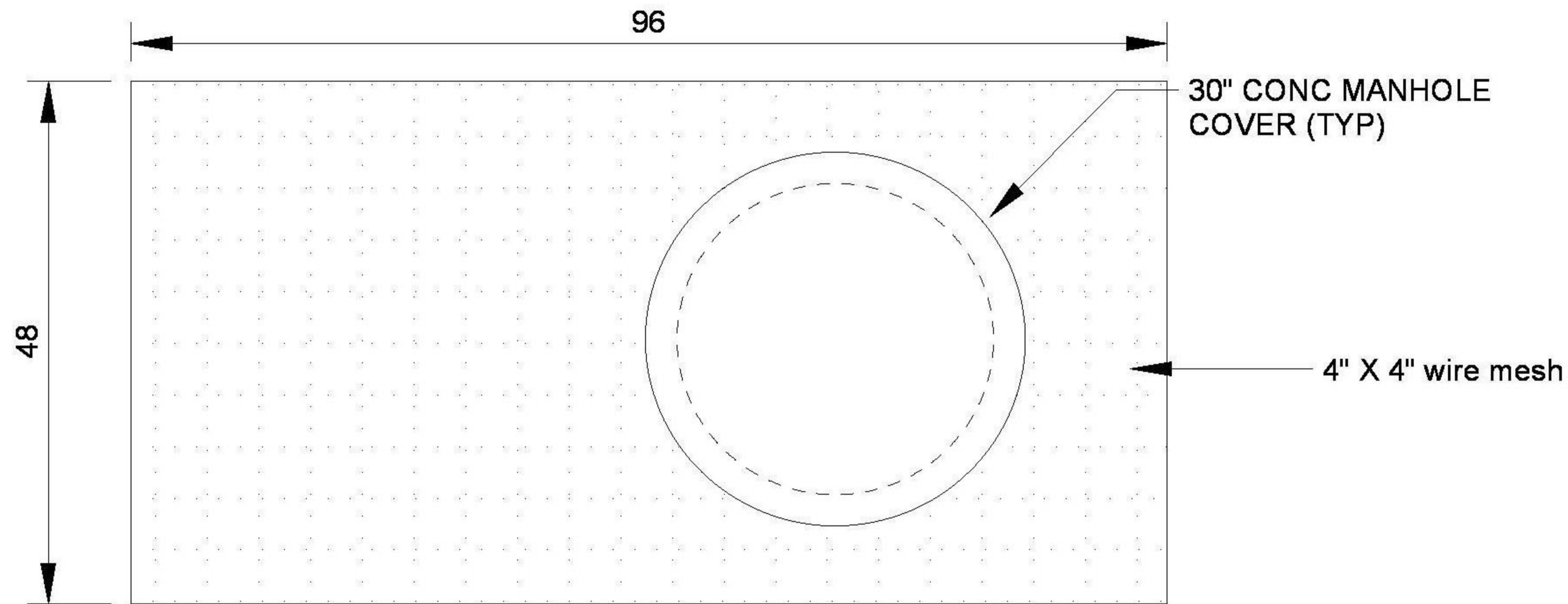
# 700 GALLON SEPTIC TANK

ALL MEASUREMENTS ARE IN INCHES

SCALE: 1/2" = 1'

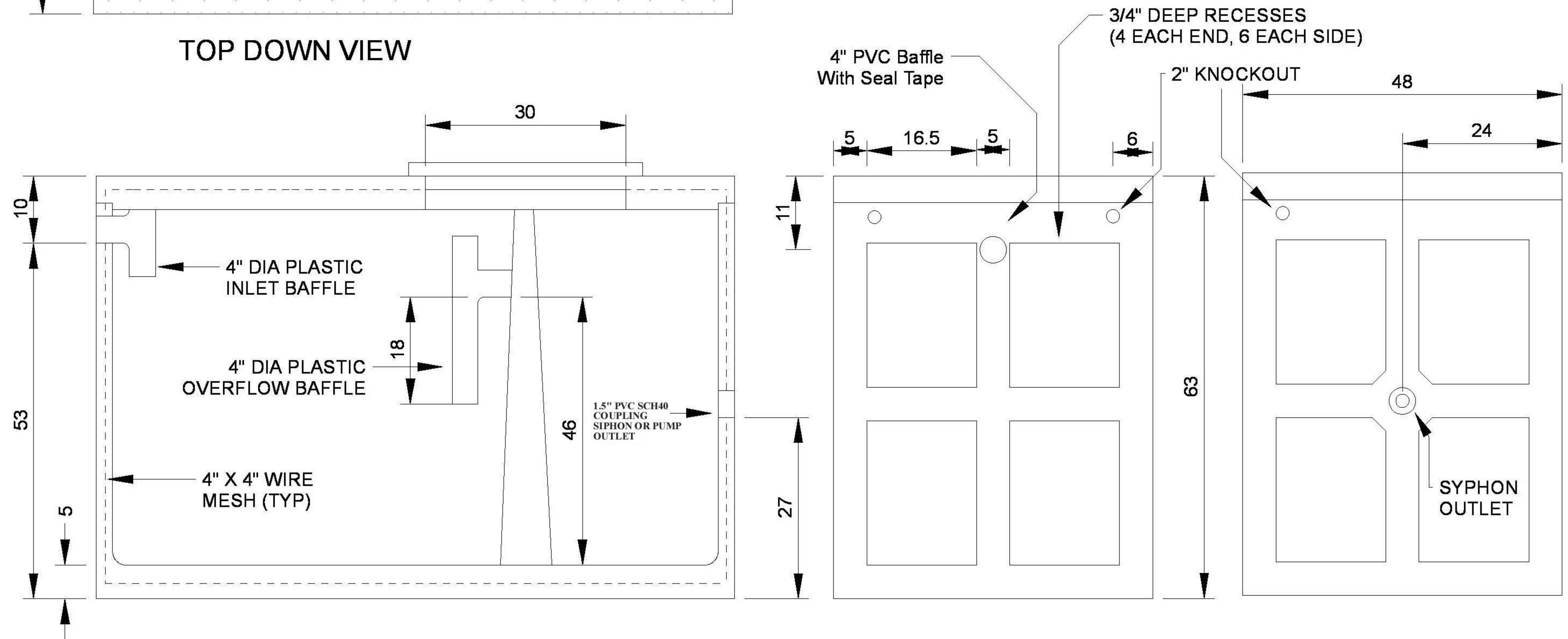
**ALBERTA  
WILBERT  
SALES**

GROUNDED IN EXCELLENCE



TOP DOWN VIEW

notes:



SECTION SIDE VIEW

LEFT END VIEW

RIGHT END VIEW

## Alberta Wilbert Sales

DATE: 29TH MARCH 2009

PHONE: 780-447-2222

FAX: 780-447-1984

16910 129 AVENUE

EDMONTON, AB

T5V 1L1

(CSA approved) (Max. burial depth = 10' (3m))

Total Capacity = 700 gal / L = 3150

Working Capacity = 420 gal / L = 1900

Pump Capacity = 165 gal / L = 750

Siphon Flush = 75 gal / L = 340

Dosing Volume = 4.1 gal / in.

Width = 48" / 120 cm

Length = 96" / 245 cm

Height = 63" / 160 cm

Inlet Height = 53" / 135 cm

Out Height = 27" / 70 cm

Weight = 6660 lbs