

1500 GALLON 1MH SEPTIC

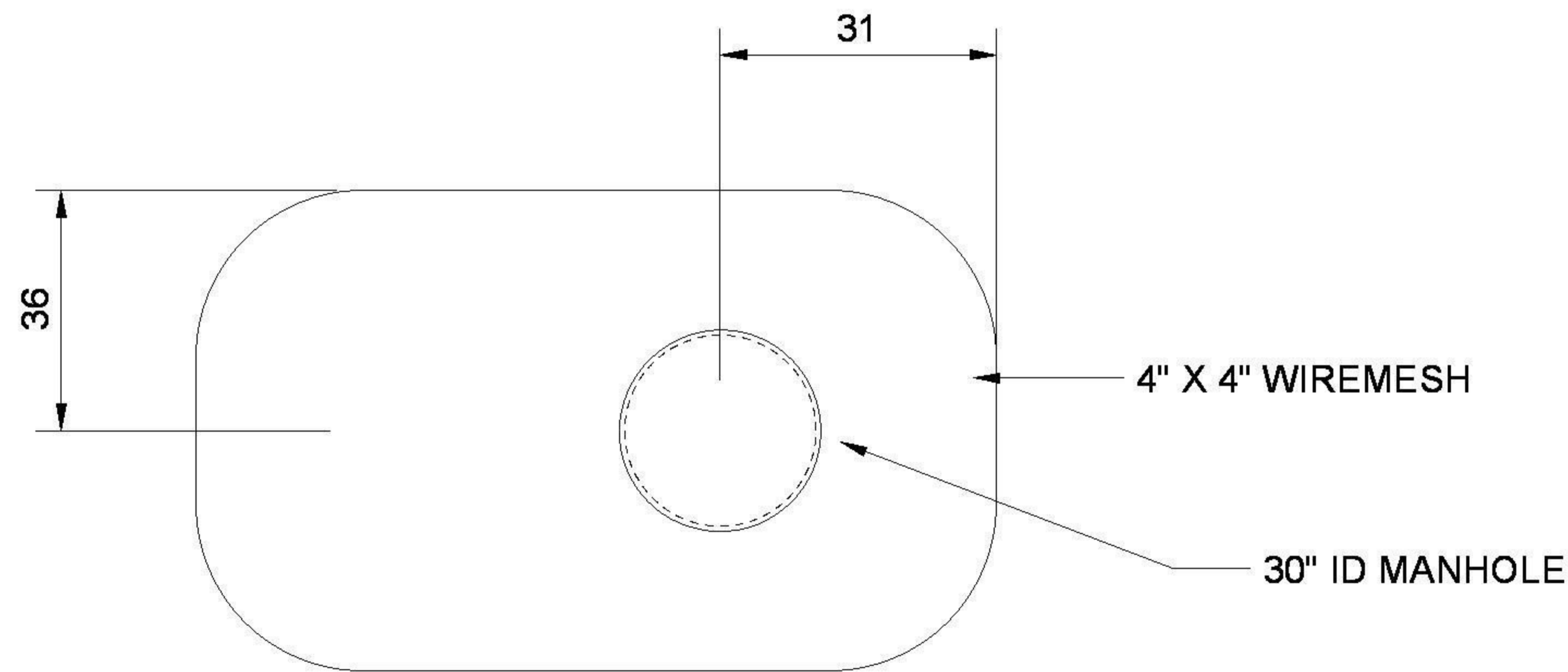
(CSA approved) (Max. burial depth = 10' (3m))

ALL MEASUREMENTS ARE IN INCHES

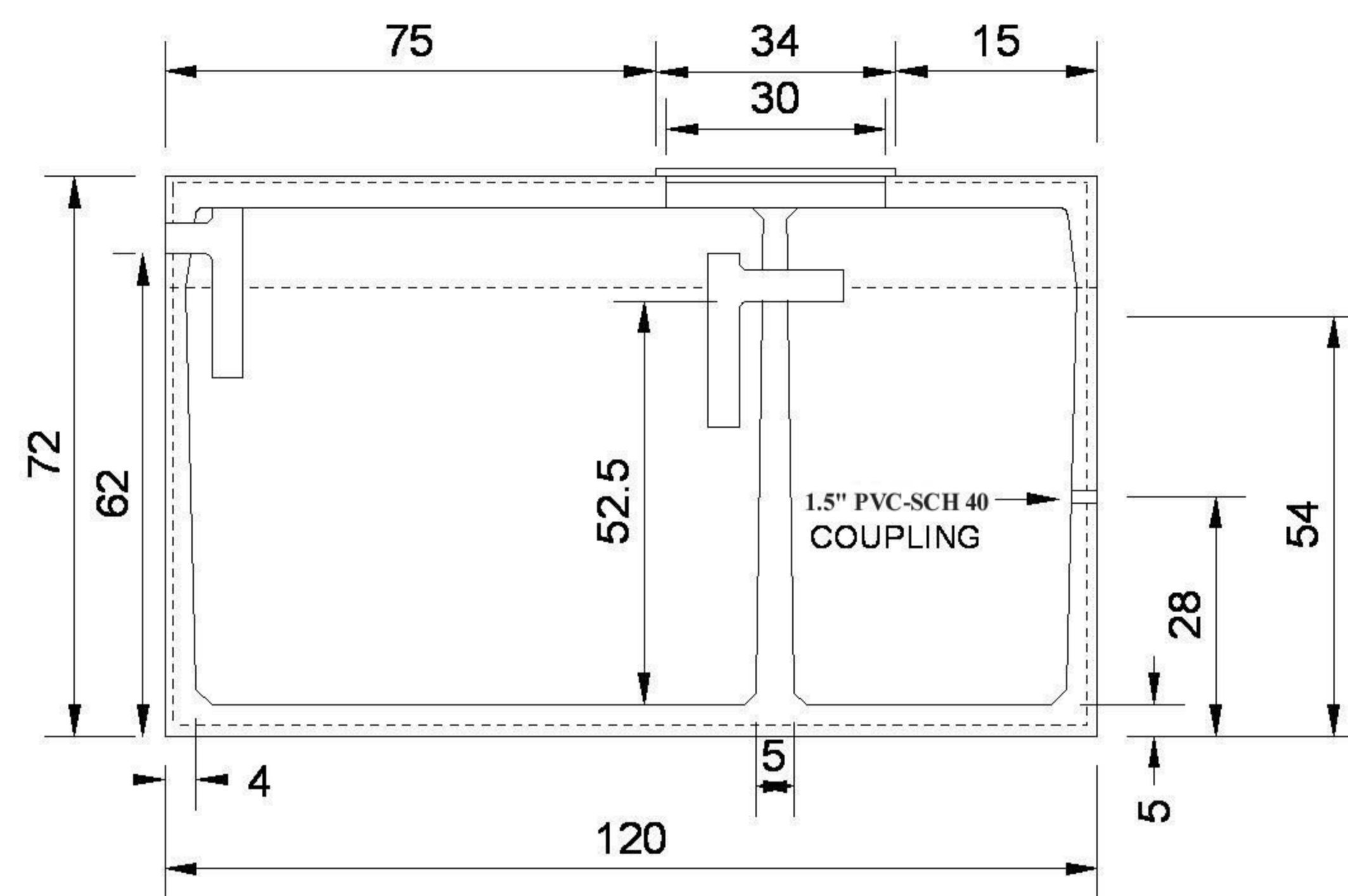
SCALE: 1/4" = 1'

**ALBERTA
WILBERT
SALES**

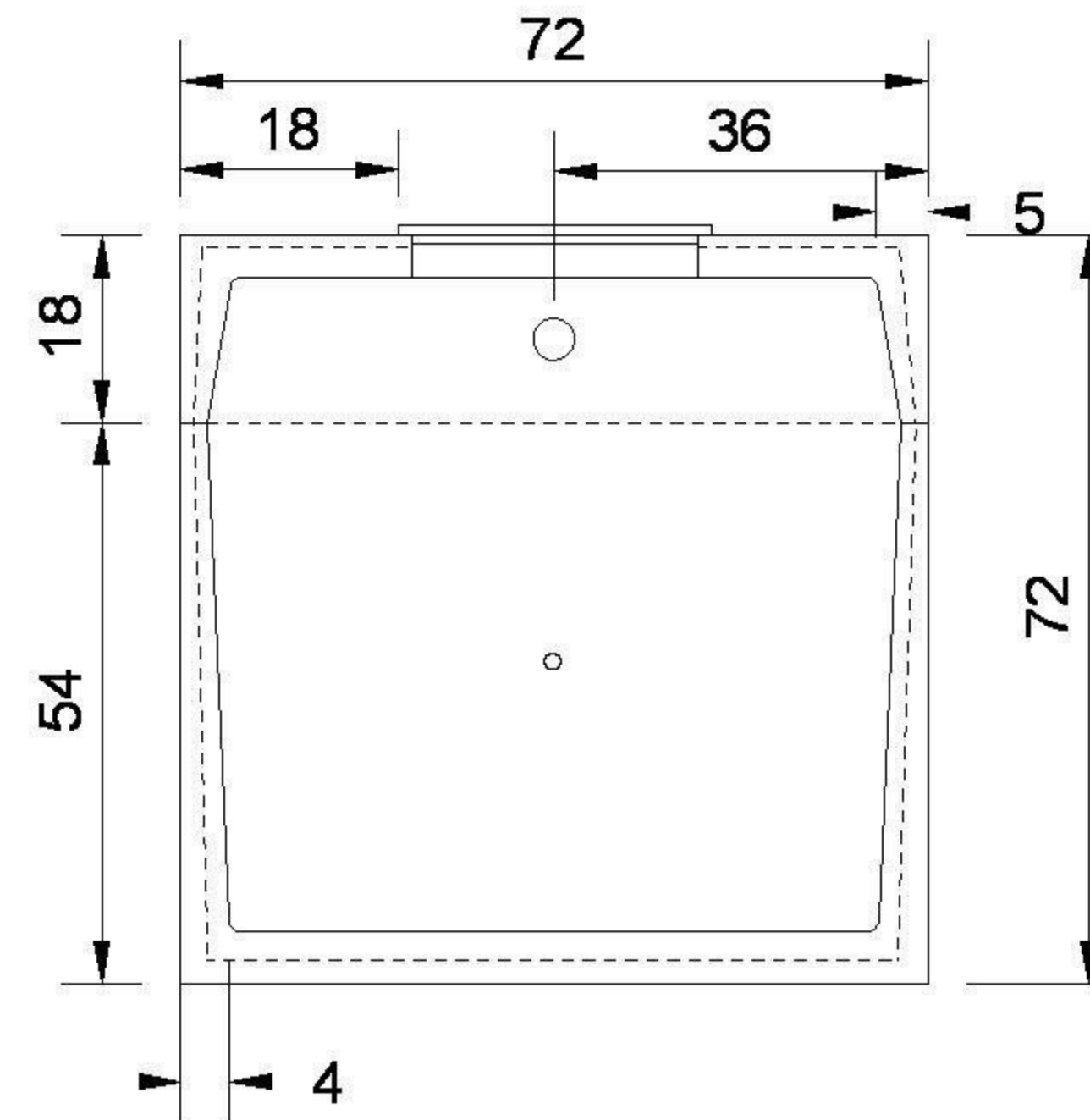
GROUNDED IN EXCELLENCE



TOP VIEW



SECTIONAL VIEW



END VIEW

Alberta Wilbert Sales

DATE: 29TH MARCH 2009

PHONE: 780-447-2222

FAX: 780-447-1984

16910 129 AVENUE

EDMONTON, AB

T5V 1L1

(CSA approved) (Max. burial depth = 10' (3m))

Total Capacity = 1500 gal / L = 6750

Working Capacity = 950 gal / L = 4275

2nd Chamber = 350 ga. / L = 1575

Siphon Flush = 135 gal / L = 608

Dosing Volumn = 6.3 gal / in

Width = 72" / 180 cm

Length = 120" / 300 cm

Height = 72" / 180 cm

Inlet = 62" / 155 cm

Outlet = 27" / 70

Top Weight = 4400 lbs

Base Weight = 9900 lbs

Total Weight = 14,300 lbs