

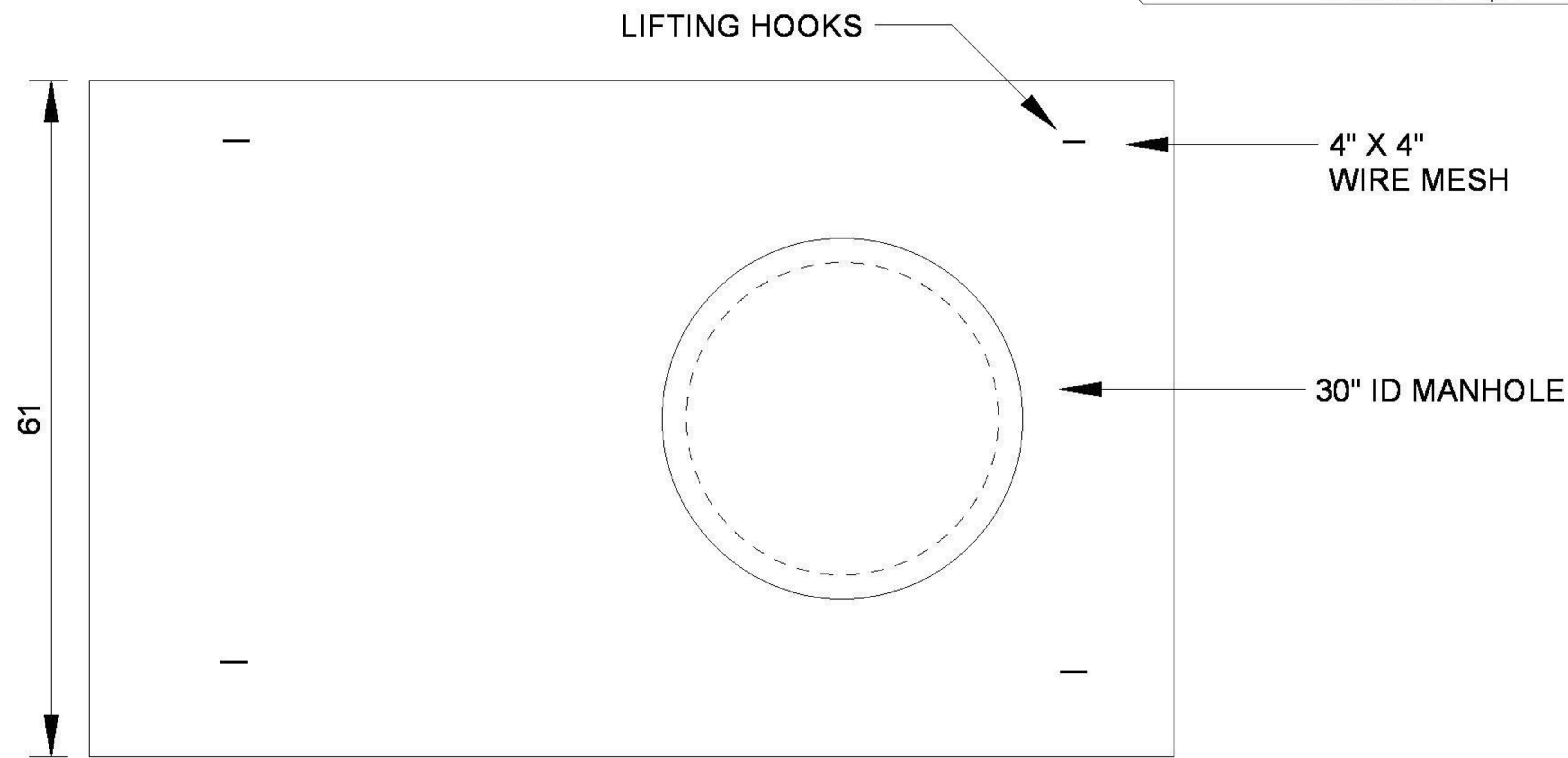
1000 GALLON SEPTIC TANK

ALL MEASUREMENTS ARE IN INCHES

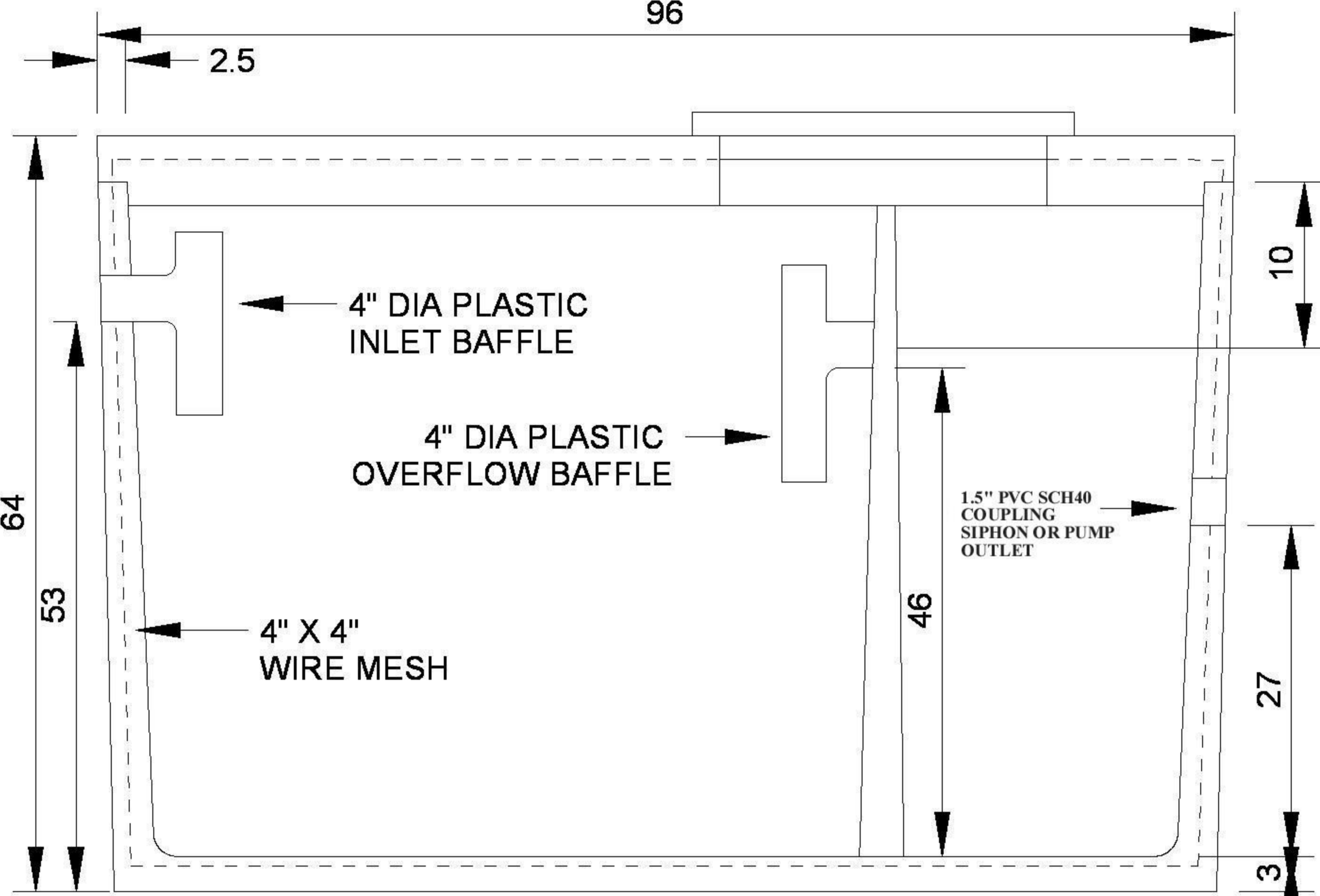
SCALE: 1/2" = 1'

**ALBERTA
WILBERT
SALES**

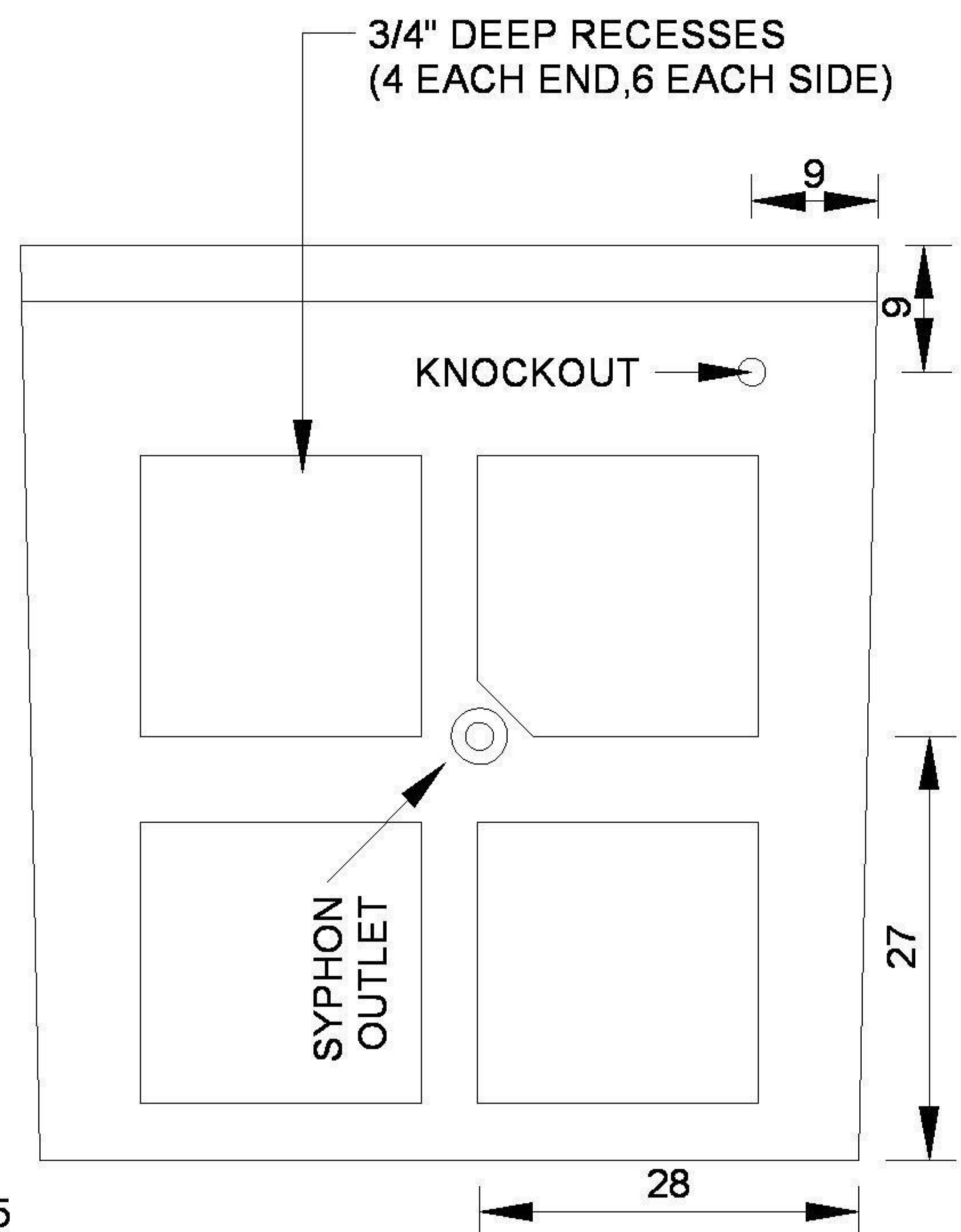
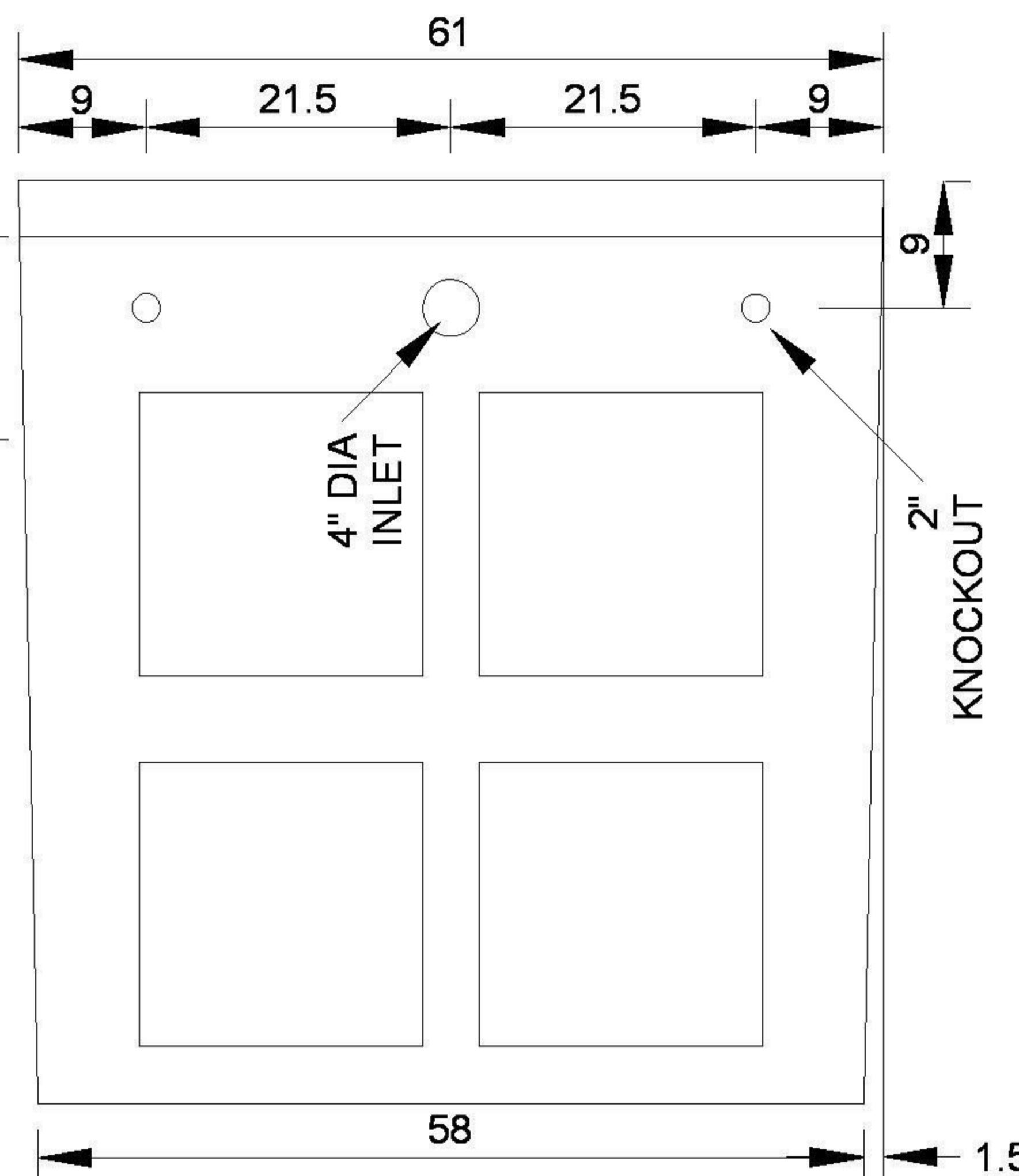
GROUNDING IN EXCELLENCE



TOP VIEW
96



SECTION VIEW
3.75



RIGHT END VIEW

Alberta Wilbert Sales

DATE: 29TH MARCH 2009
PHONE: 780-447-2222
FAX: 780-447-1984

16910 129 AVENUE
EDMONTON, AB
T5V 1L1

(CSA approved) (Max. burial depth = 10' (3m))
Total Capacity = 1000 gal / L = 4500
Working Capacity = 600 gal / L = 2700
Pump Chamber = 250 gal / L = 1135
Siphon Flush = 100 gal / L = 455
Dosing Volume = 5.3 gal / in

Width = 61" / 155 cm
Length = 98" / 250 cm
Height = 65" / 165 cm
Inlet = 53" / 135 cm
Outlet = 27" / 70 cm
Weight = 8620 lbs