

Wastewater

GP Series



(U.S. Patent No. 7,237,736)



Applications

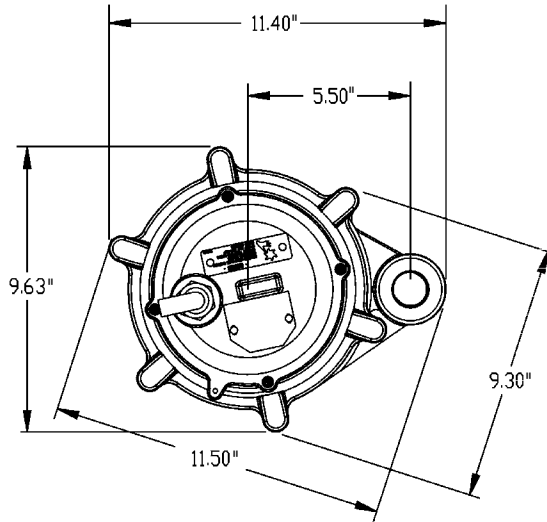
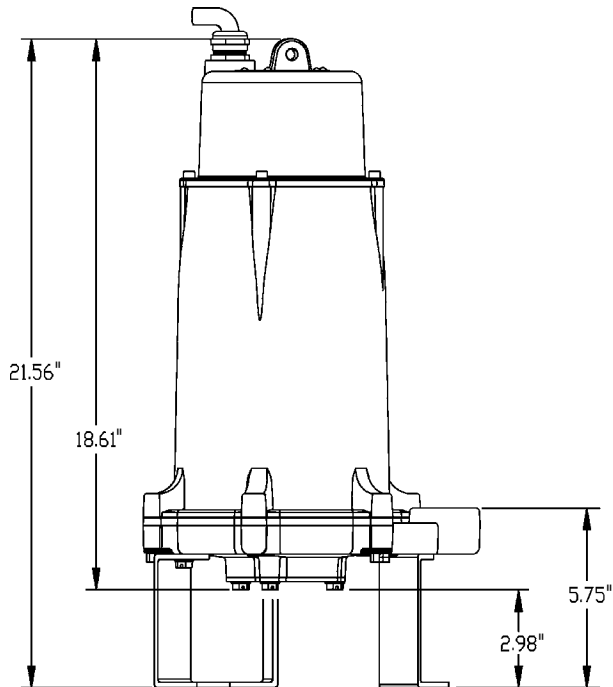
- Little Giant GP Series grinder pumps are ideal for sewage waste transfer where high head conditions exist

Features

- 2 hp single-phase, capacitor start/run motor with built-in overload protection for over-current and over-temperature damage
- Epoxy-coated cast iron finish for corrosion resistance and durability
- Powerful 2 hp, 3450 rpm motor to handle the demands of grinding domestic sewage
- Optional mechanical float switch for automatic operation
 - Automatic operation with leg kit and tether at 9":
 - "On" 23" - 25"
 - "Off" 9" - 11"
- Start/Run components encased in oil-free chamber — requires no control panel
- Mechanical seal: carbon/ceramic
- Deflection resistant, short motor shaft
- Corrosion resistant brass impeller
- Seven-vane, angled face, non-clogging impeller
- Tight cutting clearances for superior cutting action, grinding 414,000 cuts per minute
- GLK - Grinder Leg Kit included

LittleGIANT®

Engineering Data



Leg Kit (Included)
GLK — Item No. 599078

Specifications

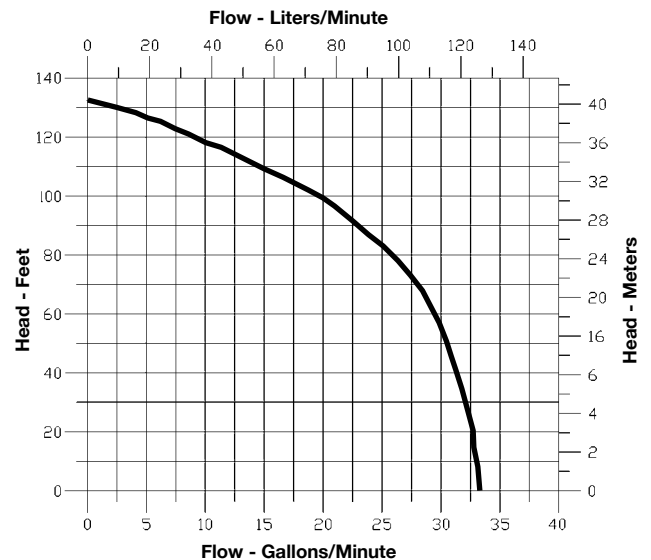
Item No.	Model No.	HP	Volts	Hz	Full Load Amps/Watts	Switch Type	Performance (GPM @ Head)						Shut Off	PSI	Cord Length	Weight (lb)	Dimensions
							20'	40'	60'	80'	100'	120'					
520875	GP-A231-20	2	230	60	13.9/3200	Mechanical Float	32	31	30	25	20	10	130'	56	20'	100	18.61" x 11.40" x 9.63"
520877	GP-A231-20*	2	230	60	13.9/3200	—	32	31	30	25	20	10	130'	56	20'	100	18.61" x 11.40" x 9.63"
520885	GP-A201-20	2	208	60	13.9/3200	Mechanical Float	32	31	30	25	20	10	130'	56	20'	100	18.61" x 11.40" x 9.63"

* Float kit and leg kit not included

Construction

Motor Cover	Cast iron with epoxy coating
Motor Cover O-Ring	Nitrile
Motor Design	Single-phase, capacitor start, capacitor run
Insulation Class	F
Overload Protection	Internal, on winding thermal protector
Motor Shaft	AISI 300 series stainless steel
Ball Bearing-Upper	Single row ball, 6203
Ball Bearing-Lower	Single row ball, 6306
Seal Housing	Cast iron with epoxy coating
Mechanical Seal	Carbon/ceramic
Volute	Cast iron with epoxy coating
Impeller	Brass
Rotating Cutter	2 blade design, AISI 440C stainless steel, through hardened to Rockwell 55-60C
Stationary Cutter	AISI 440C stainless steel, hardened to Rockwell 55-60C
External Hardware	300 series stainless steel
Power Cable	Type SOW or SOW 14/3 AWG

Performance Data



P.O. Box 12010
Oklahoma City, OK 73157-2010
Phone: 1.800.701.7894
Fax: 1.800.678.7867
www.LittleGiantPump.com