

Wastewater

ESP50 Series



ESP50AM

ESP50AV

ESP50M

Applications

- Ideal for basement sump or for pumping liquid effluent.

Features

- 1/2 hp 115 Volt thermal overload protected, continuous duty "oil free" motor; 6.7 full load Amps
- Stainless steel heat treated shaft
- Rugged cast iron motor housing dissipates heat away from motor. Rugged corrosion-resistant, molded polypropylene pump body
- 1-1/2" NPT discharge
- Reinforced polypropylene impeller, handles 3/4" spherical solids - with brass insert
- Upper and lower ball bearings
- 3/4" solids handling capability
- Automatic with piggyback mechanical float switch or vertical float switch

ESP50AM

On level 11.4" [290mm]

Off level 4.7" [120mm]

ESP50AV

On level 6.7" [170mm]

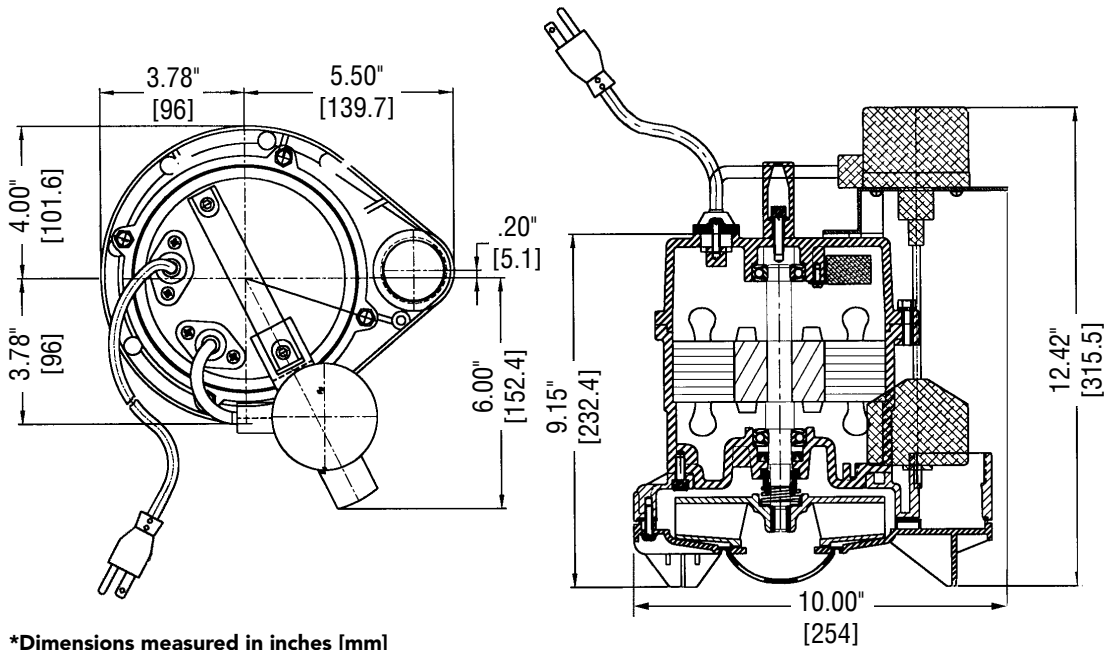
Off level 4" [100mm]

Also available in manual operation

- 20' power cord



Engineering Data

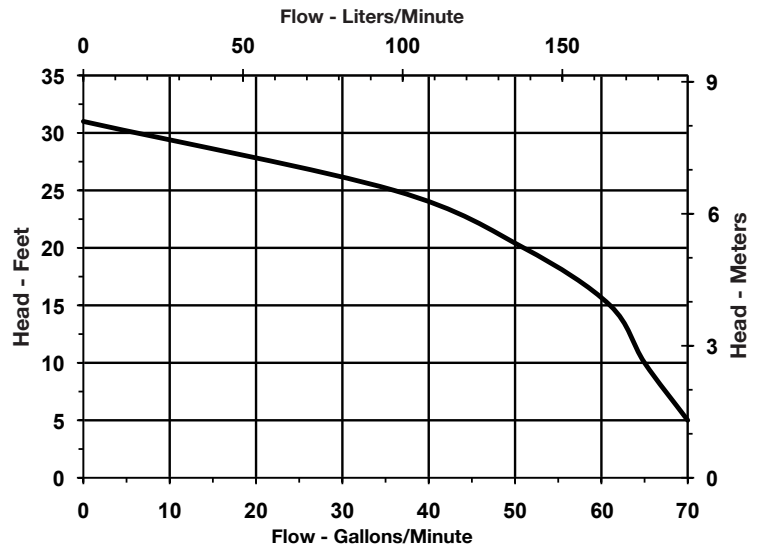


*Dimensions measured in inches [mm]

Specifications

Item No.	Model No.	Listing	HP	SFA	Volts	Discharge	Switch	Performance (gpm @ head)						Shut Off Head (ft)	Cord Length (ft)	Ship Wt. (lbs)
								5'	10'	15'	20'	25'	30'			
620187	ESP50AM	cCSAus	1/2	6.7	115	1-1/2"	Piggyback-style Float	70	65	61	51	36	2	31	20	24
620178	ESP50AV	cCSAus	1/2	6.7	115	1-1/2"	Vertical Float	70	65	61	51	36	2	31	20	24
620174	ESP50M	cCSAus	1/2	6.7	115	1-1/2"	Manual Operation	70	65	61	51	36	2	31	20	24

Performance Data



Franklin Electric

P.O. Box 12010
 Oklahoma City, OK 73157-2010
 Phone: 1.800.701.7894
 Fax: 1.800.678.7867
 www.LittleGiantPump.com

©2011 Franklin Electric Co., Inc.
 Little Giant® is a registered trademark of Franklin Electric Co., Inc.
 Form 996176 — 05/11