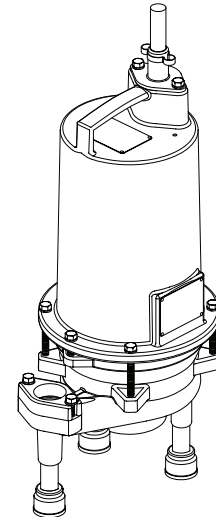


**Submersible Grinder Pumps**

<b>DISCHARGE</b> .....	1¼" NPT, Female, Vertical, Bolt-On Flange
<b>LIQUID TEMPERATURE</b> .....	160°F (71°C) Intermittent
<b>VOLUTE</b> .....	Cast Iron ASTM A-48, Class 30
<b>MOTOR HOUSING</b> .....	Cast Iron ASTM A-48, Class 30
<b>SEAL PLATE</b> .....	Cast Iron ASTM A-48, Class 30
<b>LEGS</b> .....	Removable and Adjustable
<b>IMPELLERS: Design</b> .....	12 Vane, Vortex, With Pump Out Vanes On Back Side. Dynamically Balanced, ISO G6.3.
<i>Material</i> .....	Cast Iron ASTM A-48, Class 30
<b>SHREDDING RING</b> .....	Hardened 440C Stainless Steel, Rockwell® C-55.
<b>CUTTER</b> .....	Hardened 440C Stainless Steel, Rockwell® C-55.
<b>SHAFT</b> .....	416 Stainless Steel
<b>SQUARE RINGS</b> .....	Buna-N
<b>HARDWARE</b> .....	300 Series Stainless Steel
<b>PAINT</b> .....	Air Dry Enamel.
<b>SEAL:</b>	
<i>Design</i> .....	Single Mechanical
<i>Material</i> .....	Silicon-Carbide/Silicon-Carbide/Buna-N Hardware -300 Series Stainless
<b>CORD ENTRY</b> .....	20 ft. (6m) Cord with plug Custom Molded Quick Connect, for Sealing and Strain Relief
<b>UPPER BEARING</b> .....	Single Row, Ball, Oil Lubricated
<i>Load</i> .....	Radial
<b>LOWER BEARING</b>	
<i>Load</i> .....	Single Row, Ball, Oil Lubricated Radial & Thrust
<b>MOTOR: Design</b> .....	NEMA L-Single Phase Torque Curve, Oil-Filled, Squirrel Cage Induction
<i>Insulation</i> .....	Class F
<b>SINGLE PHASE</b> .....	Capacitor Start/Capacitor Run.
<b>LEVEL CONTROL:</b>	
<i>A Series</i> .....	Pipe Mounted, Piggy-Back, Mechanical with 240 Plug
<b>ACCESSORIES</b> .....	Break Away Fitting (BAF) Check Valve Control Panel



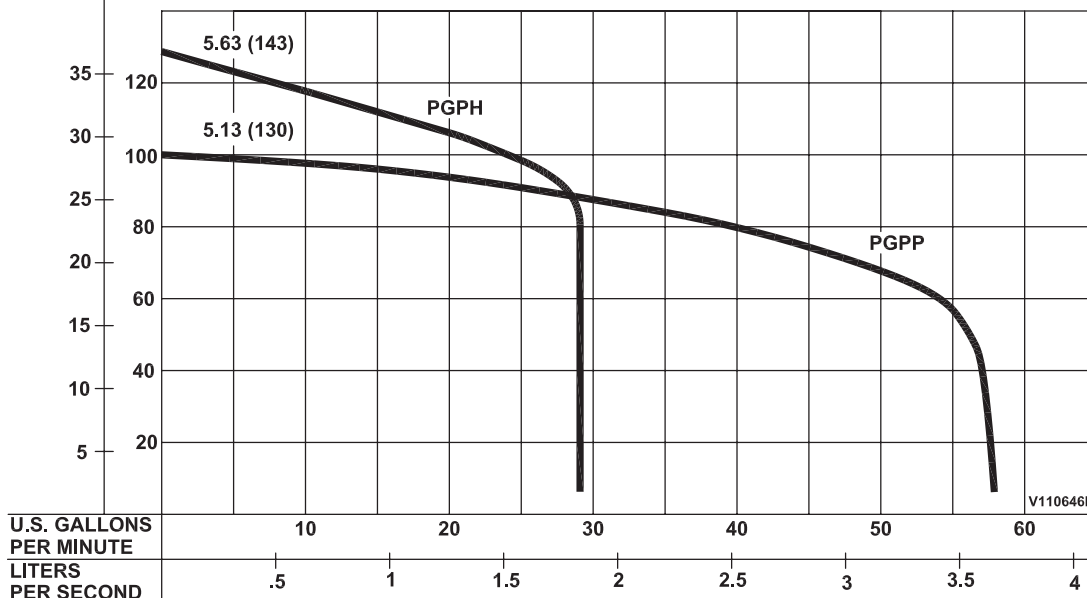
**Series: PGPP & PGPH,  
ProGrind  
2HP, 3450RPM, 60Hz**



**DESCRIPTION:**

THE GRINDER PUMP IS DESIGNED TO REDUCE DOMESTIC, COMMERCIAL, INSTITUTIONAL AND LIGHT INDUSTRIAL SEWAGE TO A FINELY GROUND SLURRY

**TOTAL HEAD METERS FEET**



Testing is performed with water specific gravity of 1.0 @ 68°F (20°C), other fluids may vary performance

# Series PGPP, PGPH

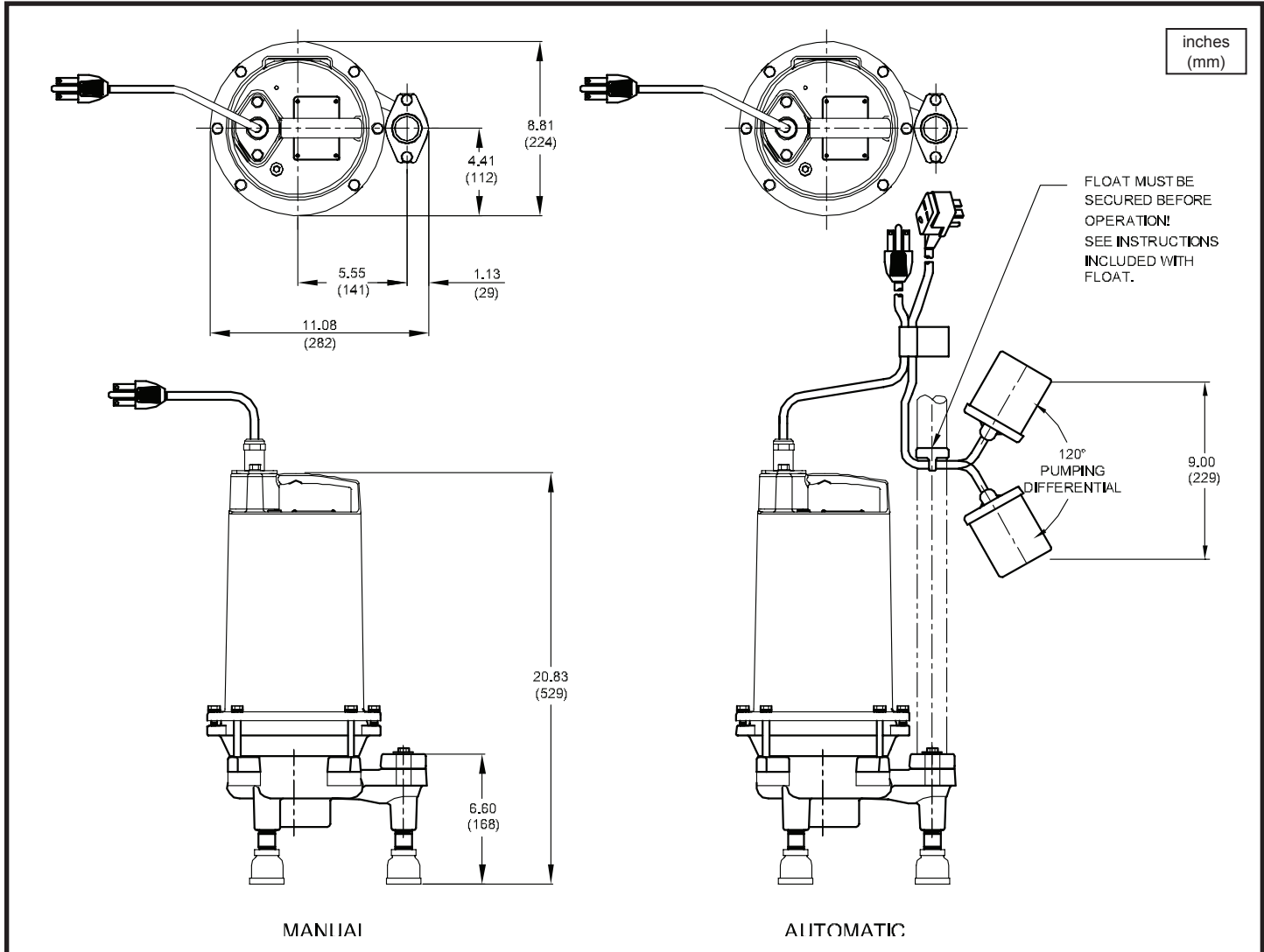
ProGrind, Vortex

# BARNES®

Professional Plumbing

www.cranepumps.com

## Submersible Grinder Pumps



MODEL NO	PART NO	HP	VOLT/PH	Hz	RPM (Nom)	NEMA START CODE	FULL LOAD AMPS	LOCKED ROTOR AMPS	CORD SIZE	CORD TYPE	CORD O.D. ± .02 (.5) inch (mm)
PGPP2022	110646	2	240/1	60	3450	H	15.0	53.8	14/3	SOW	0.61 (15.5)
PGPP2022A	112916	2	240/1	60	3450	H	15.0	53.8	14/3	SOW	0.61 (15.5)
PGPH2022	131467	2	240/1	60	3450	H	15.0	53.8	14/3	SOW	0.61 (15.5)
PGPH2022A	131468	2	240/1	60	3450	H	15.0	53.8	14/3	SOW	0.61 (15.5)

### IMPORTANT !

- 1.) PUMP MAY BE OPERATED "DRY" FOR EXTENDED PERIODS WITHOUT DAMAGE TO MOTOR AND/OR SEALS.
- 2.) THIS PUMP IS APPROPRIATE FOR THOSE APPLICATIONS SPECIFIED AS CLASS I DIVISION II HAZARDOUS LOCATIONS.
- 3.) THIS PUMP IS NOT APPROPRIATE FOR THOSE APPLICATIONS SPECIFIED AS CLASS I DIVISION I HAZARDOUS LOCATIONS.
- 4.) INSTALLATIONS SUCH AS DECORATIVE FOUNTAINS OR WATER FEATURES PROVIDED FOR VISUAL ENJOYMENT MUST BE INSTALLED IN ACCORDANCE WITH THE NATIONAL ELECTRIC CODE ANSI/NFPA 70 AND/OR THE AUTHORITY HAVING JURISDICTION. THIS PUMP IS NOT INTENDED FOR USE IN SWIMMING POOLS, RECREATIONAL WATER PARKS, OR INSTALLATIONS IN WHICH HUMAN CONTACT WITH PUMPED MEDIA IS A COMMON OCCURRENCE.

SECTION G  
PAGE 2  
DATE 9/10

**CRANE**  
A Crane Co. Company

PUMPS & SYSTEMS

USA: (937) 778-8947 • Canada: (905) 457-6223 • International: (937) 615-3598